
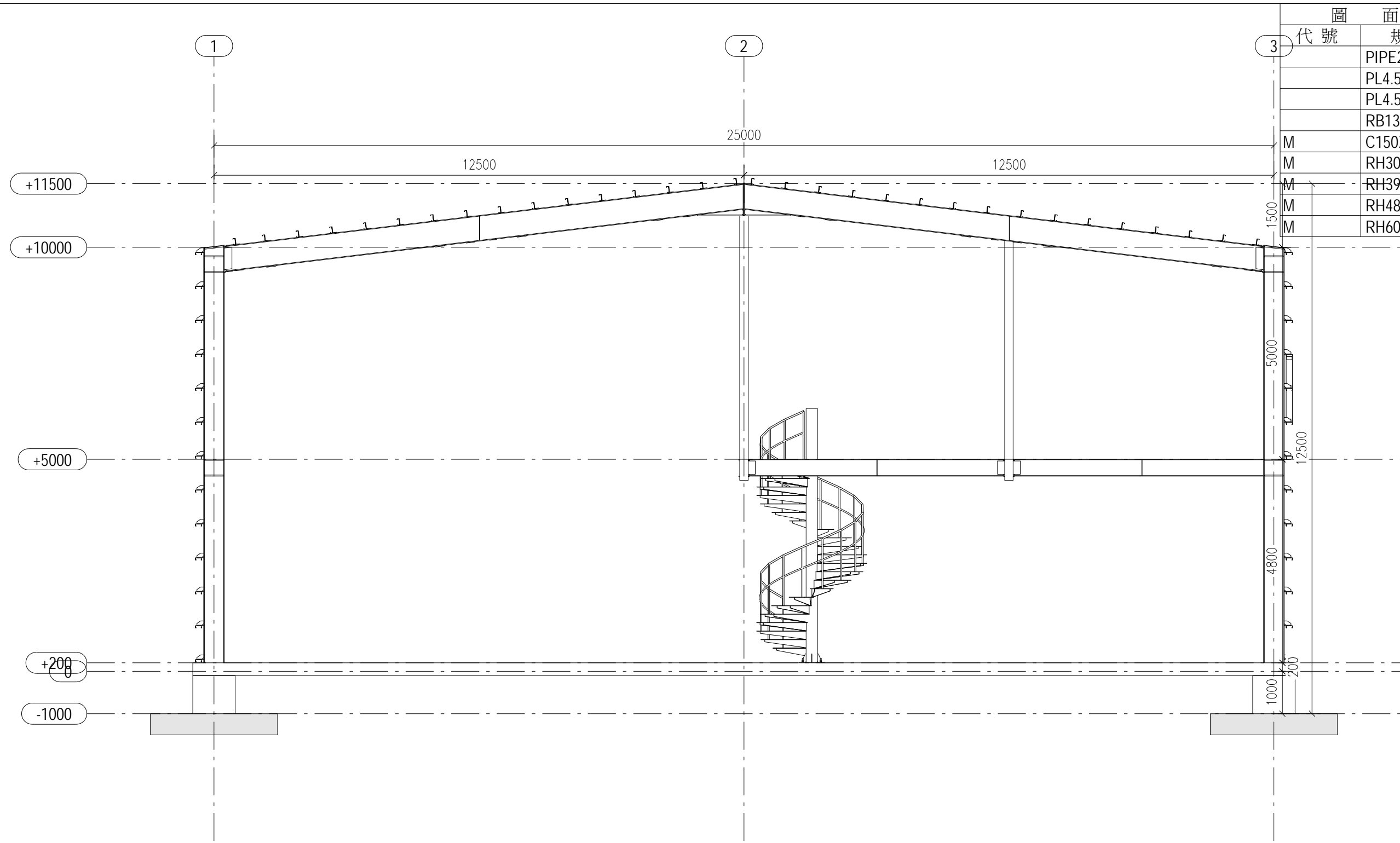


圖面型鋼清單			
代號	規格	材質	數量
	PIPE267.4*9.3	A36	1
	PL4.5*600	A36	1
	PL4.5*900	A36	10
	RB13	A36	48
M	C150X50X20X2.3	A36	312
M	RH300X150X6.5X9	SN490B	22
M	RH396X199X7X11	SN490B	58
M	RH488X300X11X18	SN490B	10
M	RH600X200X11X17	SN490B	10



ERECTION
NORTH


POWERED BY  A TRIMBLE COMPANY		馳揚數位科技		
DRAWING TITLE	立面圖@LINE F			
CONTRACT	順億廠房新建工程A棟			
CONTRACT NO	101	ISSUE DATE		
MODELLED BY	馳揚數位科技	REVISION DATE		
DRAW BY	馳揚數位科技	REVISION No.		
CHECKED	馳揚數位科技	DATE	01.08.2018	DWG. No. [9]

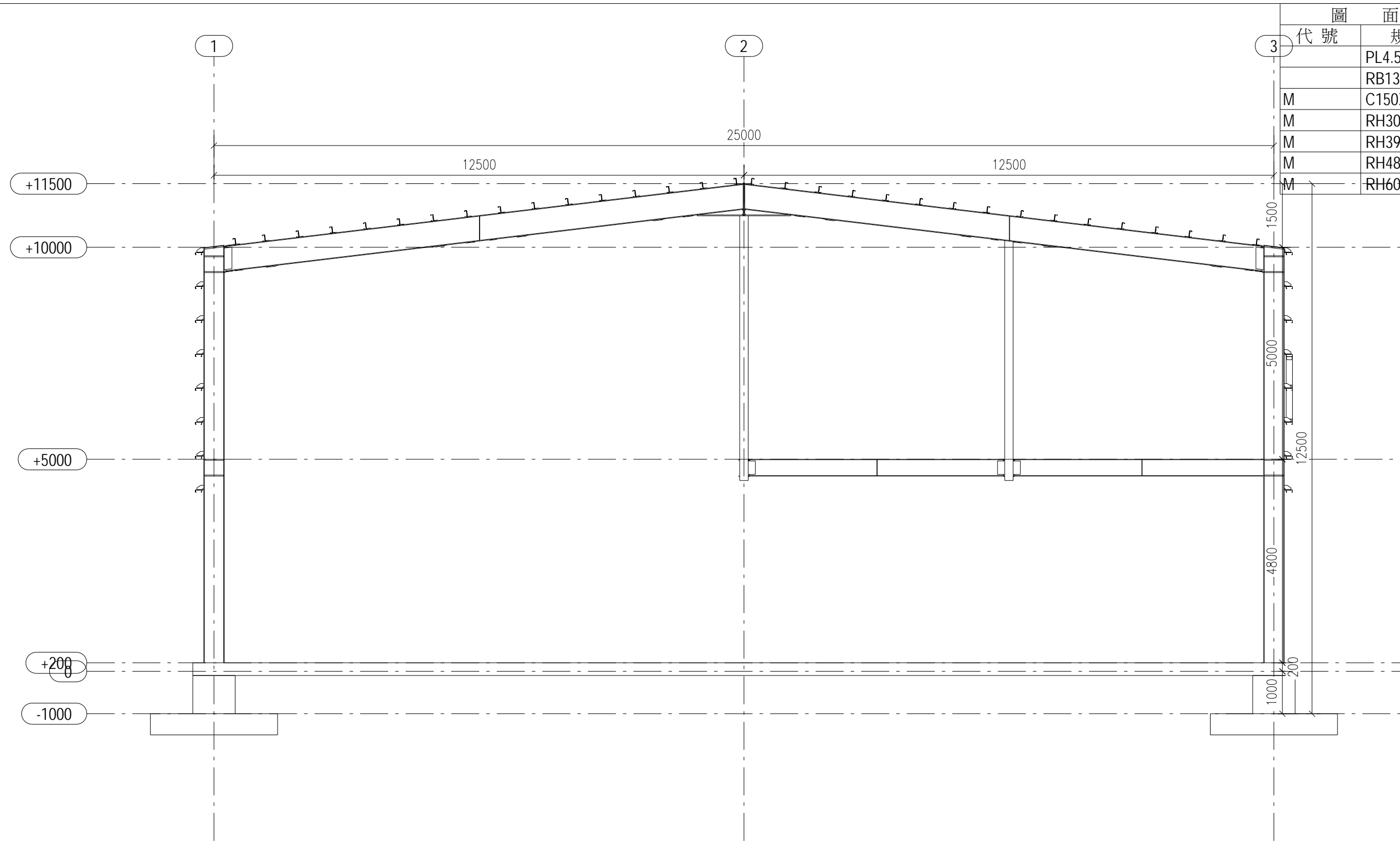


圖面型鋼清單			
代號	規格	材質	數量
	PIPE267.4*9.3	A36	1
	PL4.5*600	A36	1
	PL4.5*900	A36	10
	RB13	A36	40
M	C150X50X20X2.3	A36	254
M	RH300X150X6.5X9	SN490B	22
M	RH396X199X7X11	SN490B	51
M	RH488X300X11X18	SN490B	10
M	RH600X200X11X17	SN490B	10



ERECTION NORTH


POWERED BY  A TRIMBLE COMPANY		馳揚數位科技	
DRAWING TITLE	立面圖@LINE E		
CONTRACT	順億廠房新建工程A棟		
CONTRACT NO	101	ISSUE DATE	
MODELLED BY	馳揚數位科技	REVISION DATE	
DRAW BY	馳揚數位科技	REVISION No.	
CHECKED	馳揚數位科技	DATE	01.08.2018
		DWG. No.	[8]

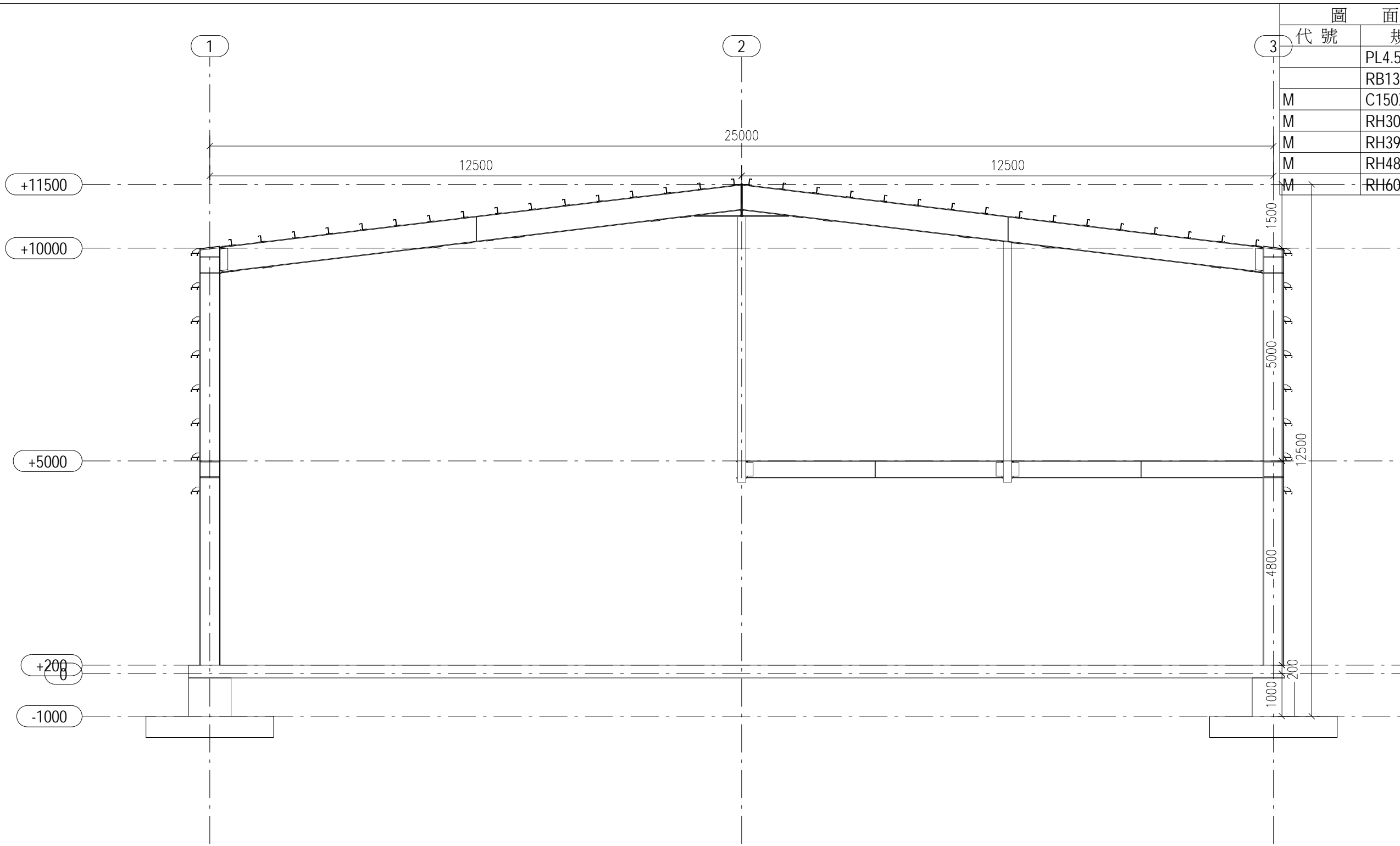


圖面型鋼清單			
代號	規格	材質	數量
	PL4.5*900	A36	8
	RB13	A36	32
M	C150X50X20X2.3	A36	196
M	RH300X150X6.5X9	SN490B	16
M	RH396X199X7X11	SN490B	40
M	RH488X300X11X18	SN490B	8
M	RH600X200X11X17	SN490B	8



ERECTION
NORTH


POWERED BY  A TRIMBLE COMPANY		馳揚數位科技		
DRAWING TITLE	立面圖@LINE D			
CONTRACT	順億廠房新建工程A棟			
CONTRACT NO	101	ISSUE DATE		
MODELLED BY	馳揚數位科技	REVISION DATE		
DRAW BY	馳揚數位科技	REVISION No.		
CHECKED	馳揚數位科技	DATE	01.08.2018	DWG. No. [7]



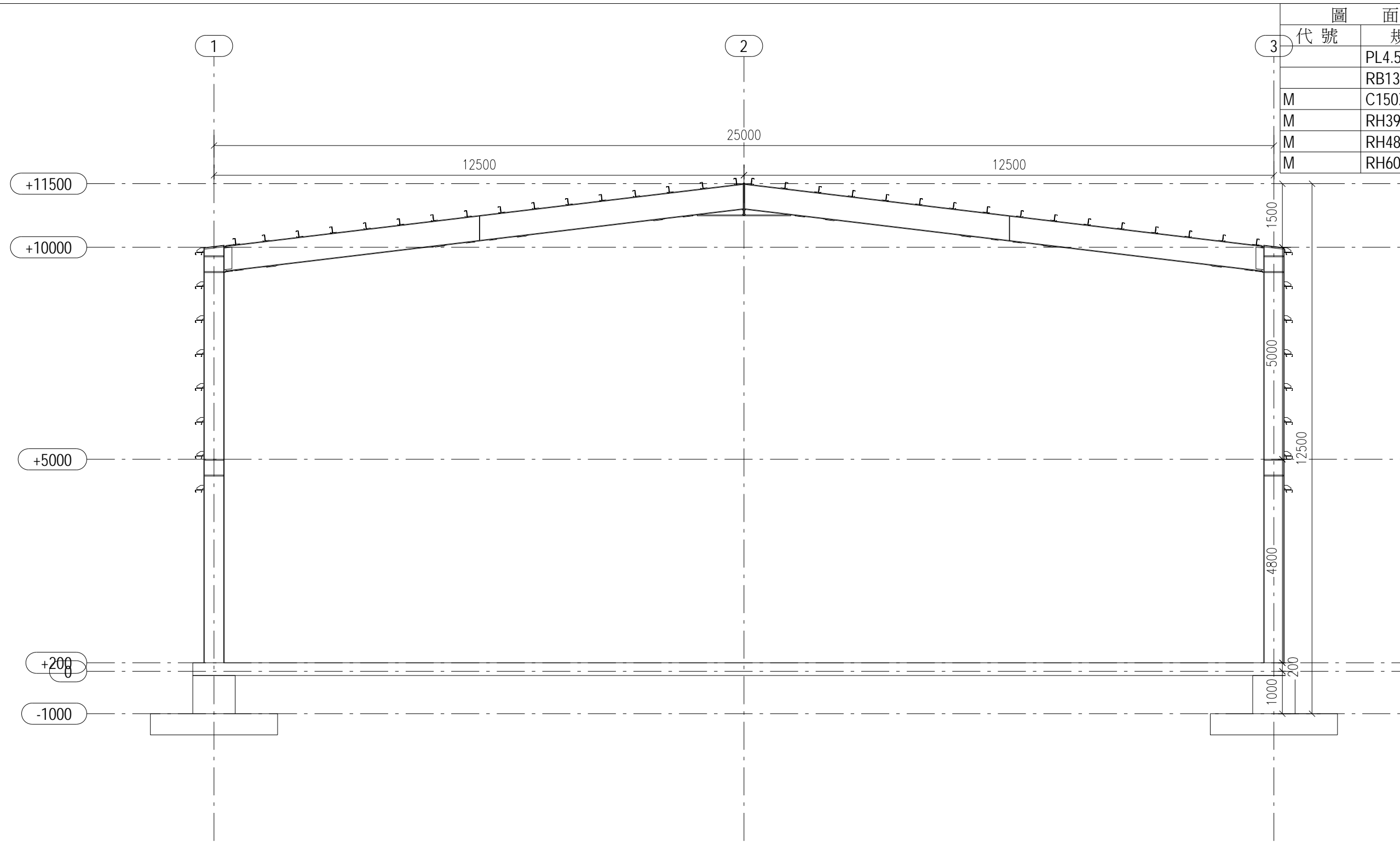
圖面型鋼清單			
代號	規格	材質	數量
	PL4.5*900	A36	6
	RB13	A36	24
M	C150X50X20X2.3	A36	144
M	RH300X150X6.5X9	SN490B	2
M	RH396X199X7X11	SN490B	27
M	RH488X300X11X18	SN490B	6
M	RH600X200X11X17	SN490B	6




ERECTION
NORTH

POWERED BY  A TRIMBLE COMPANY		馳揚數位科技	
DRAWING TITLE	立面圖@LINE C		
CONTRACT	順億廠房新建工程A棟		
CONTRACT NO	101	ISSUE DATE	
MODELLED BY	馳揚數位科技	REVISION DATE	
DRAW BY	馳揚數位科技	REVISION No.	
CHECKED	馳揚數位科技	DATE	01.08.2018
		DWG. No.	[6]

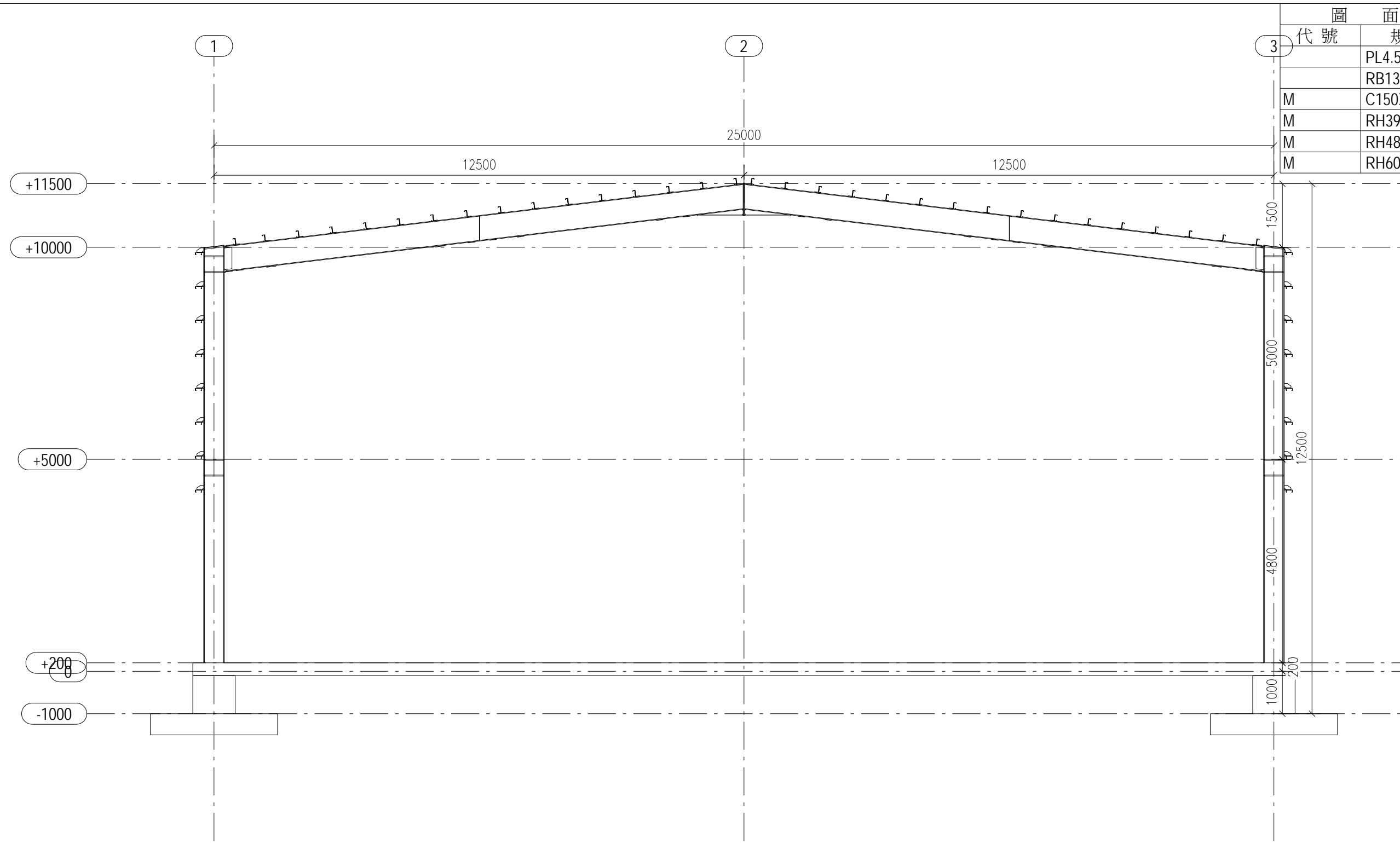
圖面型鋼清單			
代號	規格	材質	數量
	PL4.5*900	A36	4
	RB13	A36	16
M	C150X50X20X2.3	A36	96
M	RH396X199X7X11	SN490B	14
M	RH488X300X11X18	SN490B	4
M	RH600X200X11X17	SN490B	4




ERECTION
NORTH

POWERED BY  TEKLA A TRIMBLE COMPANY		馳揚數位科技		
DRAWING TITLE	立面圖@LINE B			
CONTRACT	順億廠房新建工程A棟			
CONTRACT NO	101	ISSUE DATE		
MODELLED BY	馳揚數位科技	REVISION DATE		
DRAW BY	馳揚數位科技	REVISION No.		
CHECKED	馳揚數位科技	DATE	01.08.2018	DWG. No. [5]

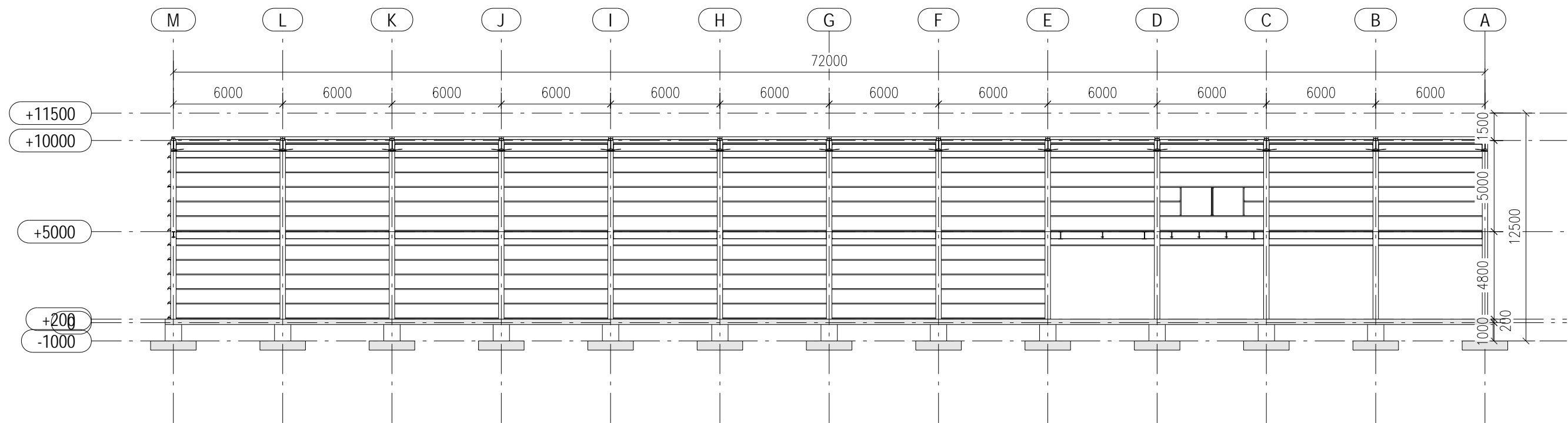
圖面型鋼清單			
代號	規格	材質	數量
	PL4.5*900	A36	2
	RB13	A36	8
M	C150X50X20X2.3	A36	48
M	RH396X199X7X11	SN490B	7
M	RH488X300X11X18	SN490B	2
M	RH600X200X11X17	SN490B	2




ERECTION
NORTH

POWERED BY  A TRIMBLE COMPANY		馳揚數位科技		
DRAWING TITLE	立面圖@LINE A			
CONTRACT	順億廠房新建工程A棟			
CONTRACT NO	101	ISSUE DATE		
MODELLED BY	馳揚數位科技	REVISION DATE		
DRAW BY	馳揚數位科技	REVISION No.		
CHECKED	馳揚數位科技	DATE	01.08.2018	DWG. No. [4]

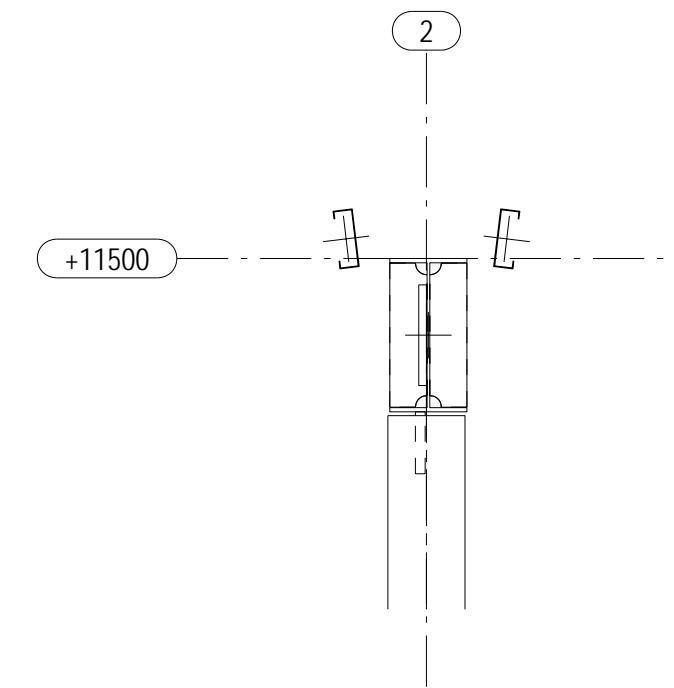
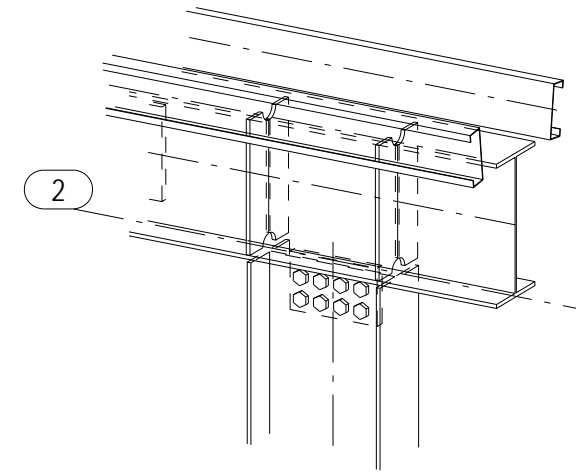
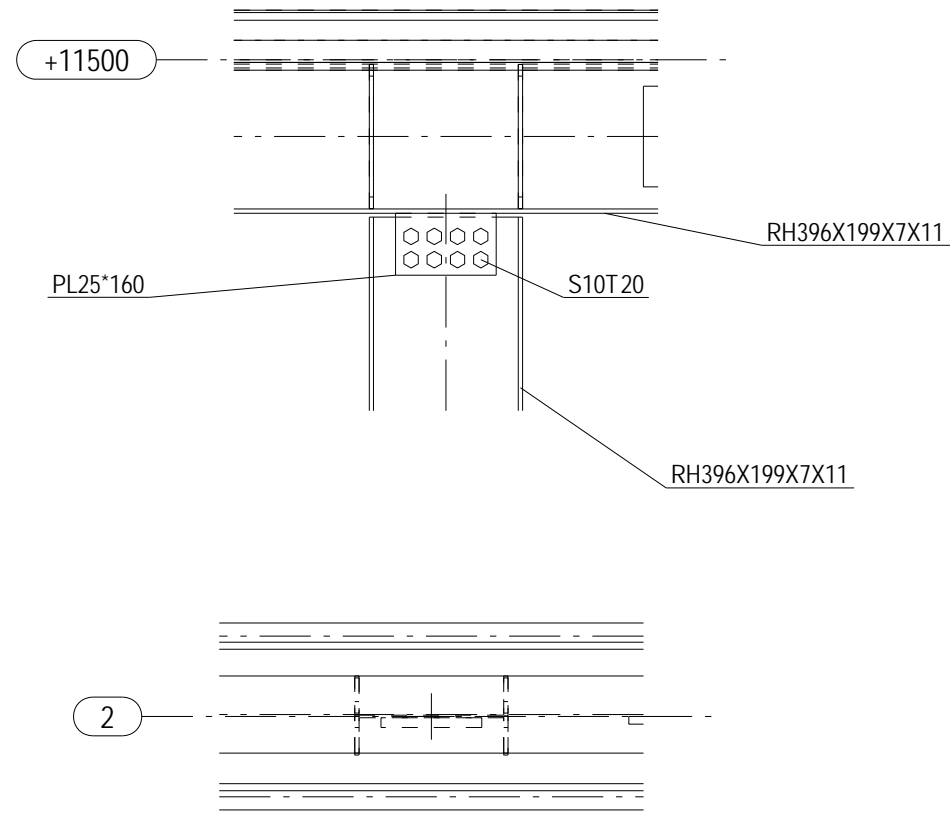
圖面型鋼清單			
代號	規格	材質	數量
	PL4.5*900	A36	13
	RB13	A36	24
M	C150X50X20X2.3	A36	165
M	RH300X150X6.5X9	A36	1
M	RH300X150X6.5X9	SN490B	4
M	RH396X199X7X11	SN490B	27
M	RH488X300X11X18	SN490B	13
M	RH600X200X11X17	SN490B	13



ERECTION
NORTH

POWERED BY  A TRIMBLE COMPANY		馳揚數位科技	
DRAWING TITLE	立面圖@LINE 3		
CONTRACT	順億廠房新建工程A棟		
CONTRACT NO	101	ISSUE DATE	
MODELLED BY	馳揚數位科技	REVISION DATE	
DRAW BY	馳揚數位科技	REVISION No.	
CHECKED	馳揚數位科技	DATE	01.08.2018
		DWG. No.	[3]

圖面型鋼清單			
代號	規格	材質	數量
M	C150X50X20X2.3	A36	2
M	RH396X199X7X11	SN490B	2
M	RH600X200X11X17	SN490B	1



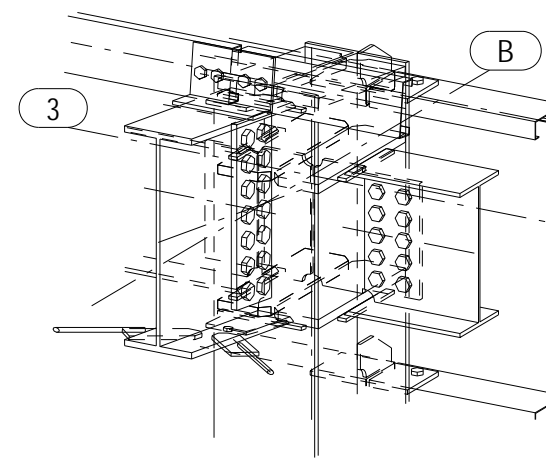
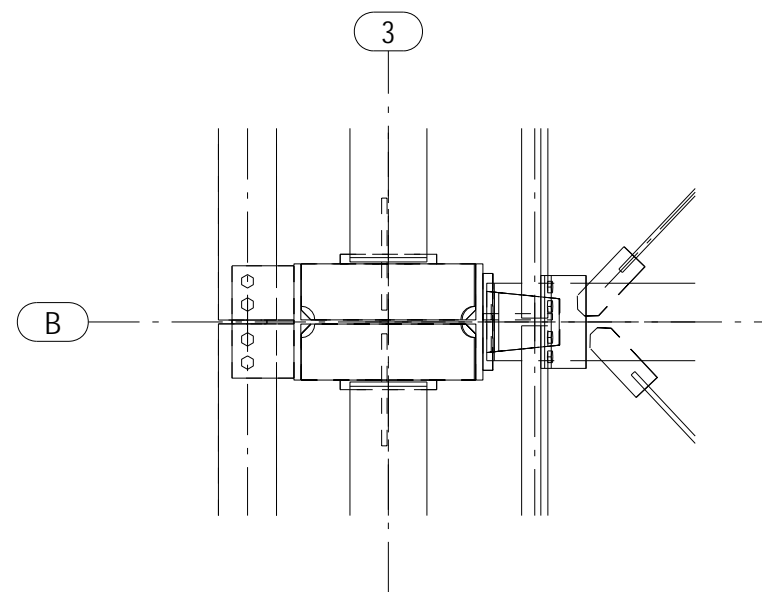
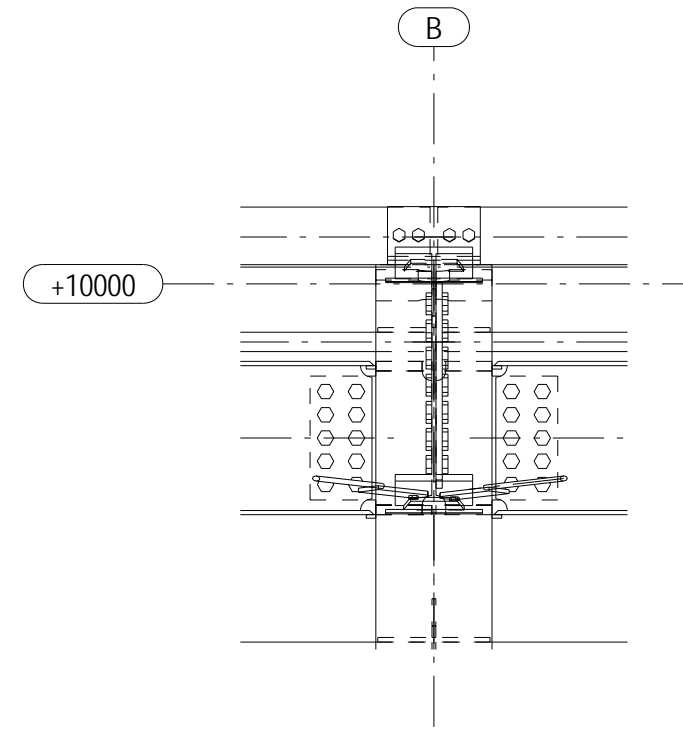
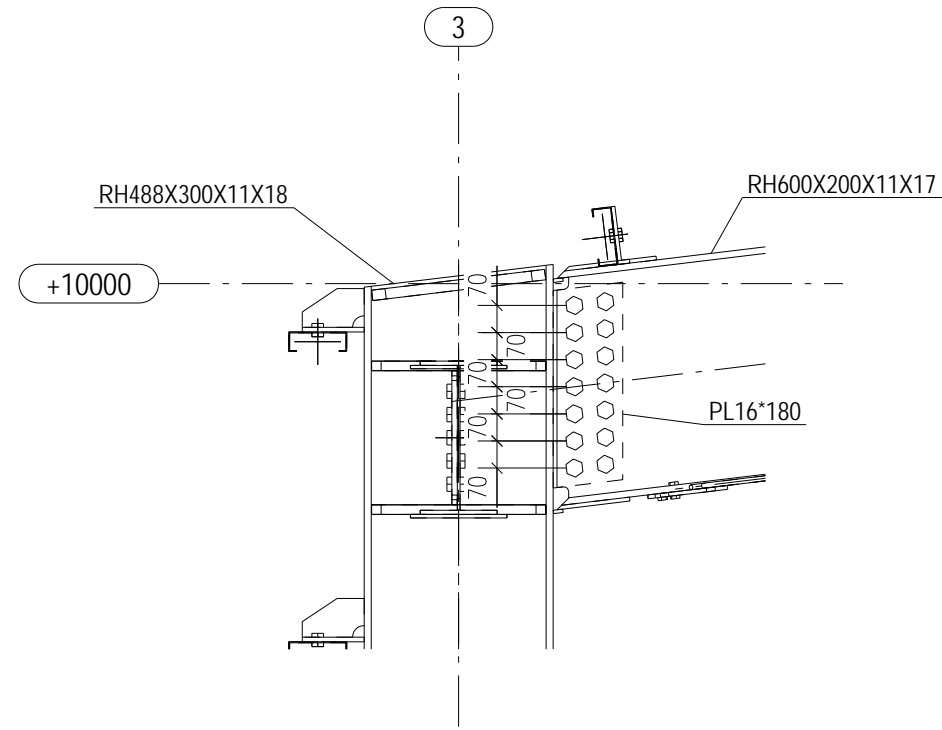
ERECTION
NORTH




馳揚數位科技

DRAWING TITLE	梁柱詳圖(樑下柱)			
CONTRACT	順億廠房新建工程A棟			
CONTRACT NO	101	ISSUE DATE		
MODELLED BY	馳揚數位科技	REVISION DATE		
DRAW BY	馳揚數位科技	REVISION No.		
CHECKED	馳揚數位科技	DATE	01.08.2018	DWG. No. [28]

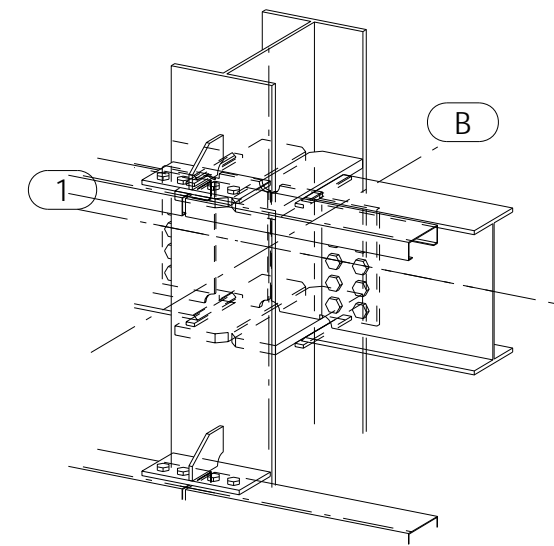
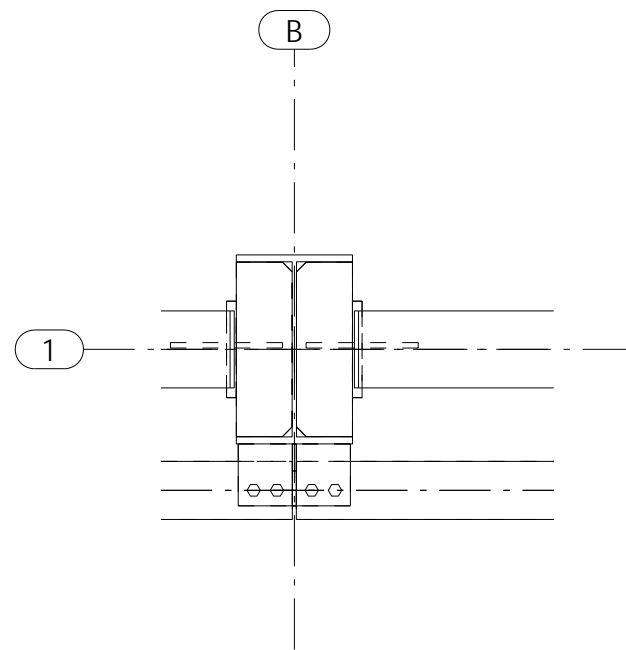
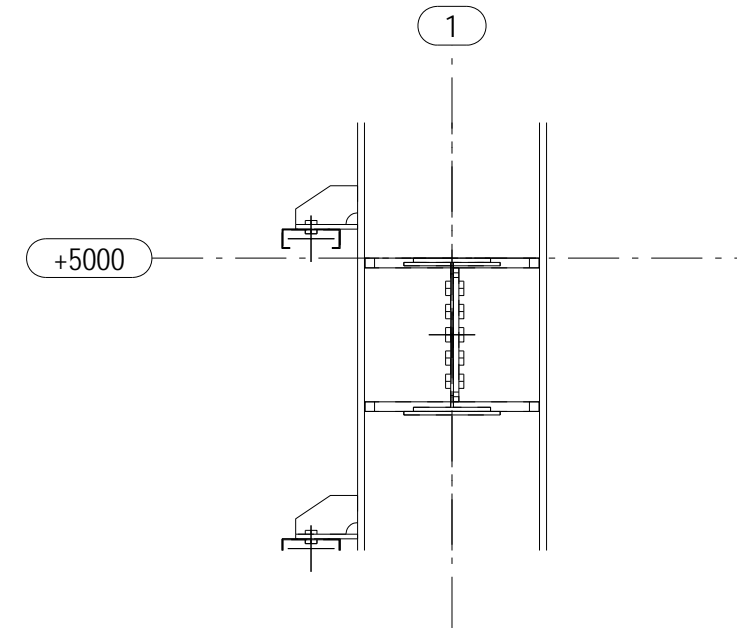
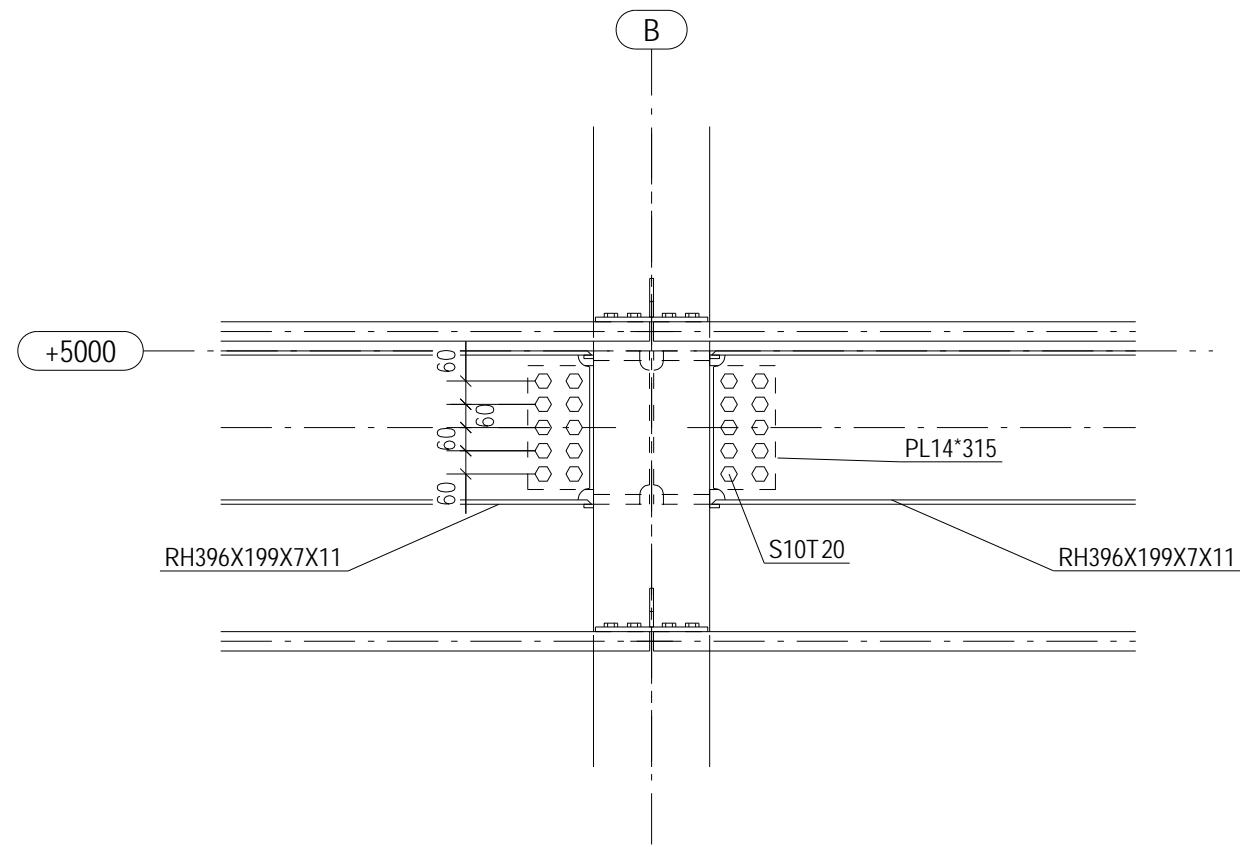
圖面型鋼清單			
代號	規格	材質	數量
	RB13	A36	4
M	C150X50X20X2.3	A36	6
M	RH396X199X7X11	SN490B	2
M	RH488X300X11X18	SN490B	1
M	RH600X200X11X17	SN490B	1



ERECTION
NORTH

POWERED BY  A TRIMBLE COMPANY		馳揚數位科技		
DRAWING TITLE	梁柱詳圖(翼板側-屋頂)			
CONTRACT	順億廠房新建工程A棟			
CONTRACT NO	101	ISSUE DATE		
MODELLED BY	馳揚數位科技	REVISION DATE		
DRAW BY	馳揚數位科技	REVISION No.		
CHECKED	馳揚數位科技	DATE	01.08.2018	DWG. No. [27]

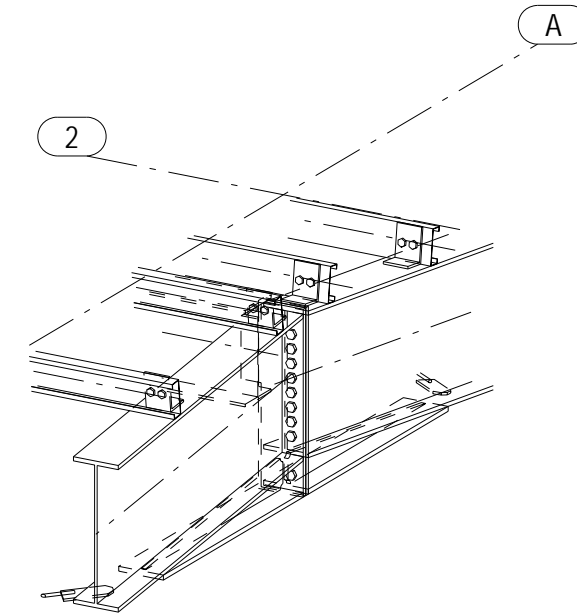
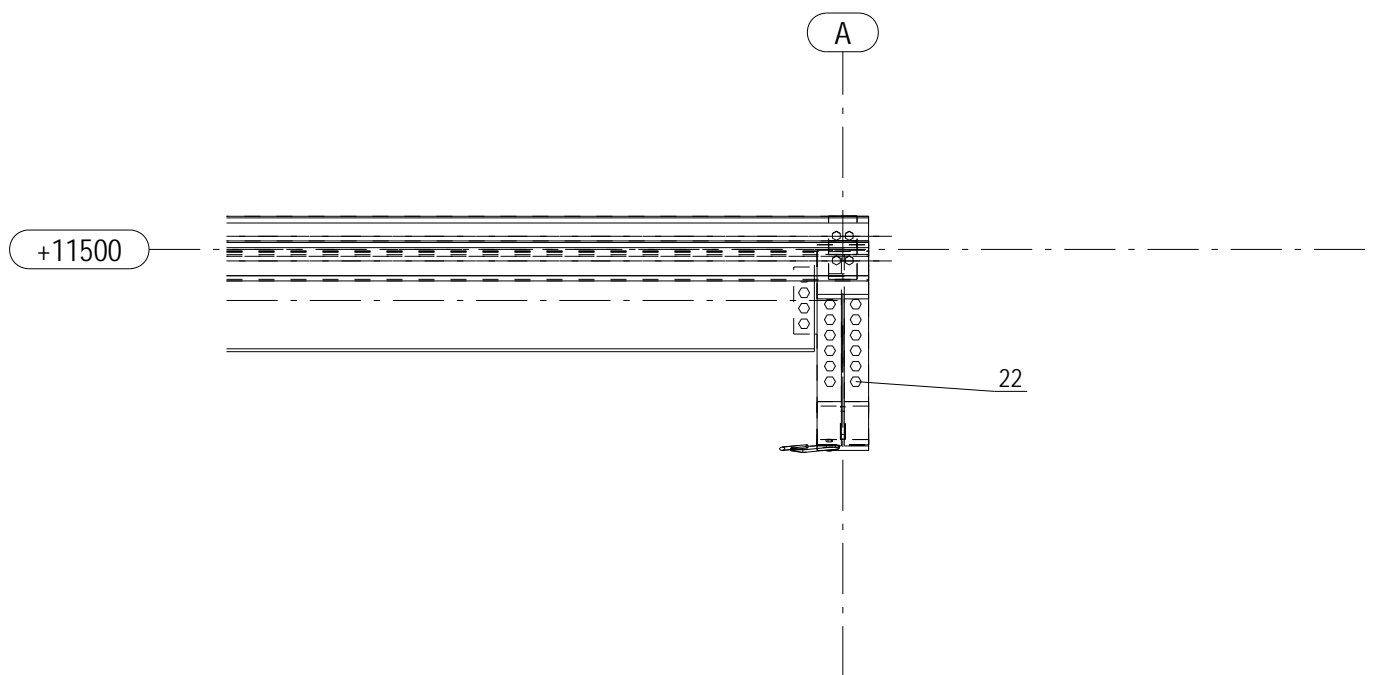
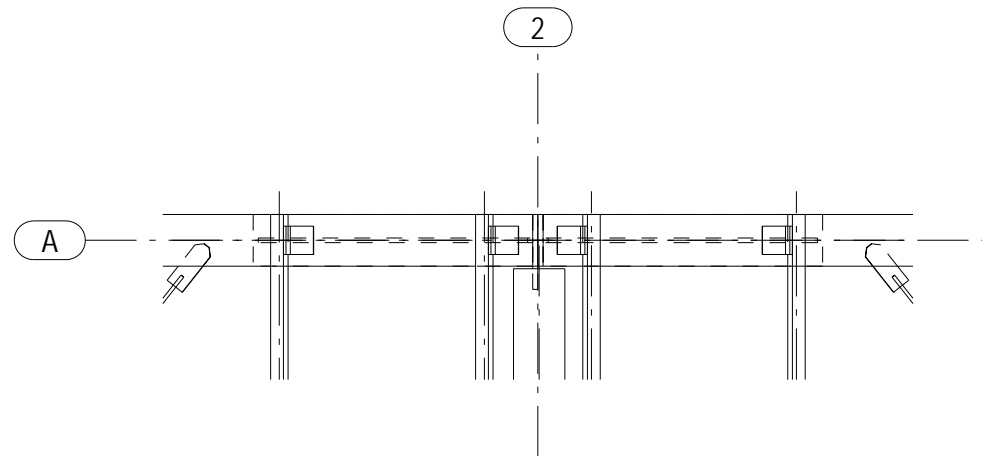
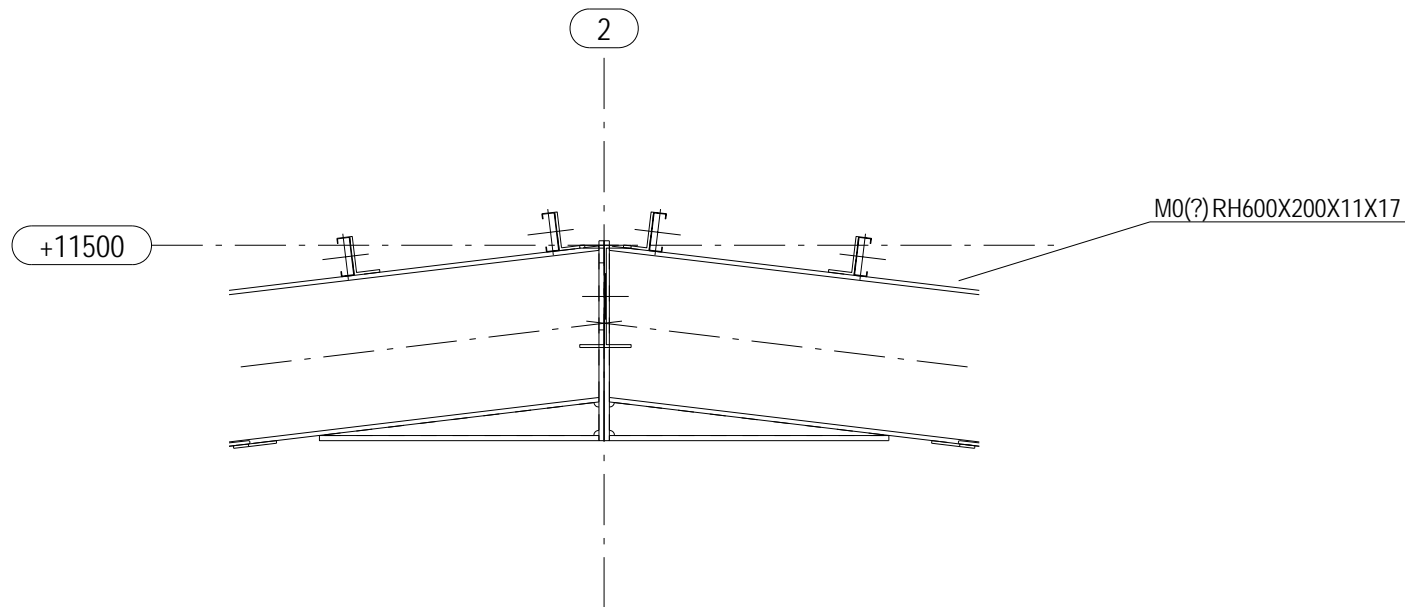
圖面型鋼清單			
代號	規格	材質	數量
M	C150X50X20X2.3	A36	4
M	RH396X199X7X11	SN490B	2
M	RH488X300X11X18	SN490B	1




ERECTION
NORTH

POWERED BY  A TRIMBLE COMPANY		馳揚數位科技			
DRAWING TITLE	梁柱詳圖(腹版側)				
CONTRACT	順億廠房新建工程A棟				
CONTRACT NO	101	ISSUE DATE			
MODELLED BY	馳揚數位科技	REVISION DATE			
DRAW BY	馳揚數位科技	REVISION No.			
CHECKED	馳揚數位科技	DATE	01.08.2018	DWG. No.	[26]

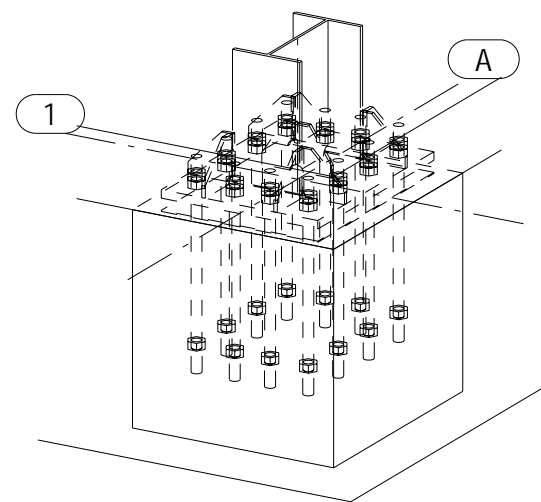
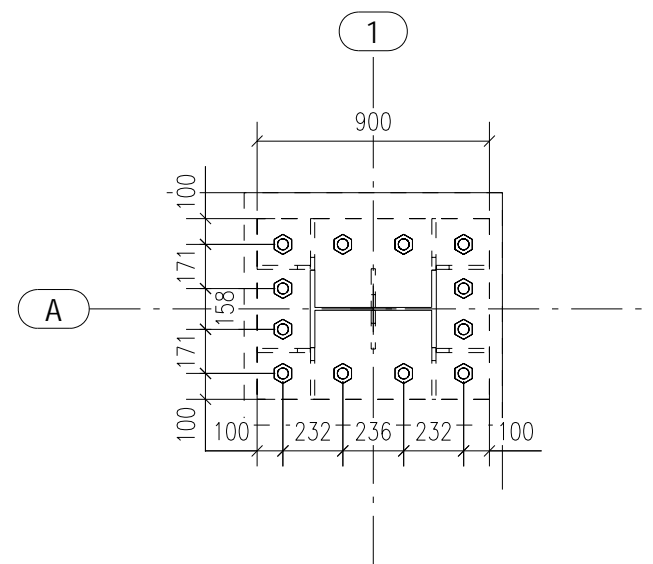
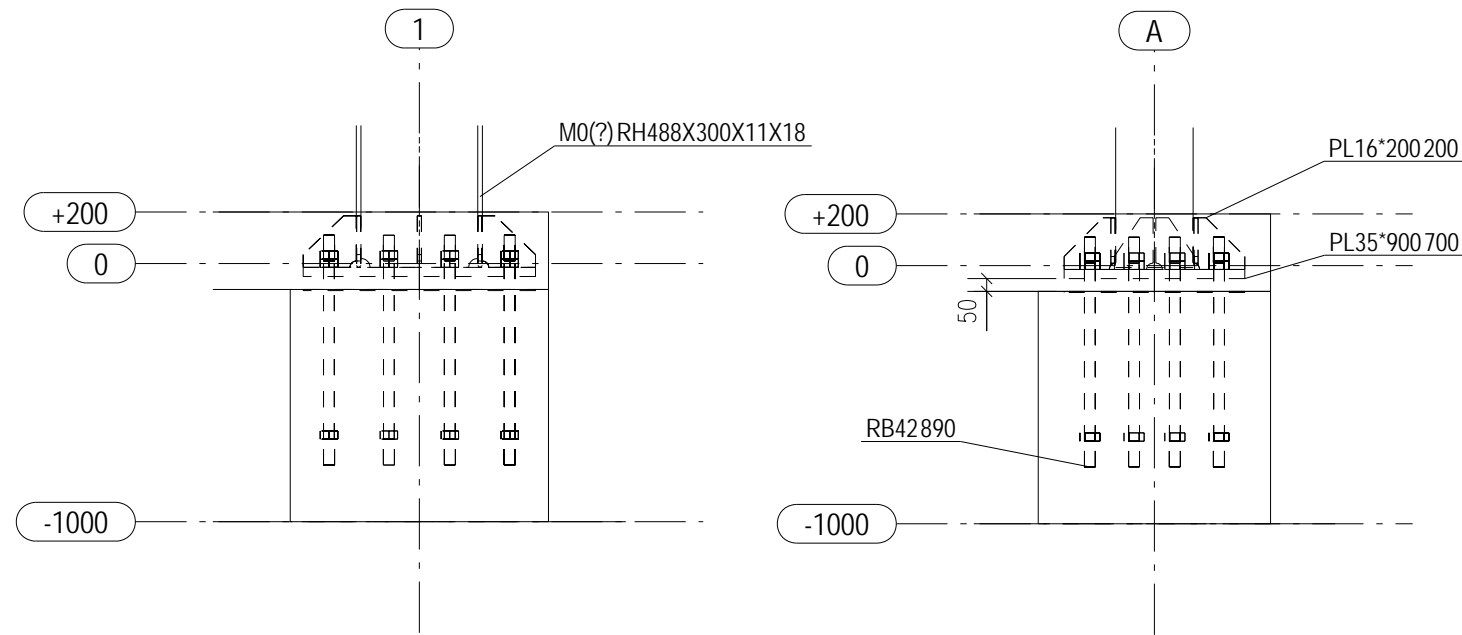
圖面型鋼清單			
代號	規格	材質	數量
	RB13	A36	4
M	C150X50X20X2.3	A36	4
M	RH396X199X7X11	SN490B	1
M	RH600X200X11X17	SN490B	2




ERECTION
NORTH

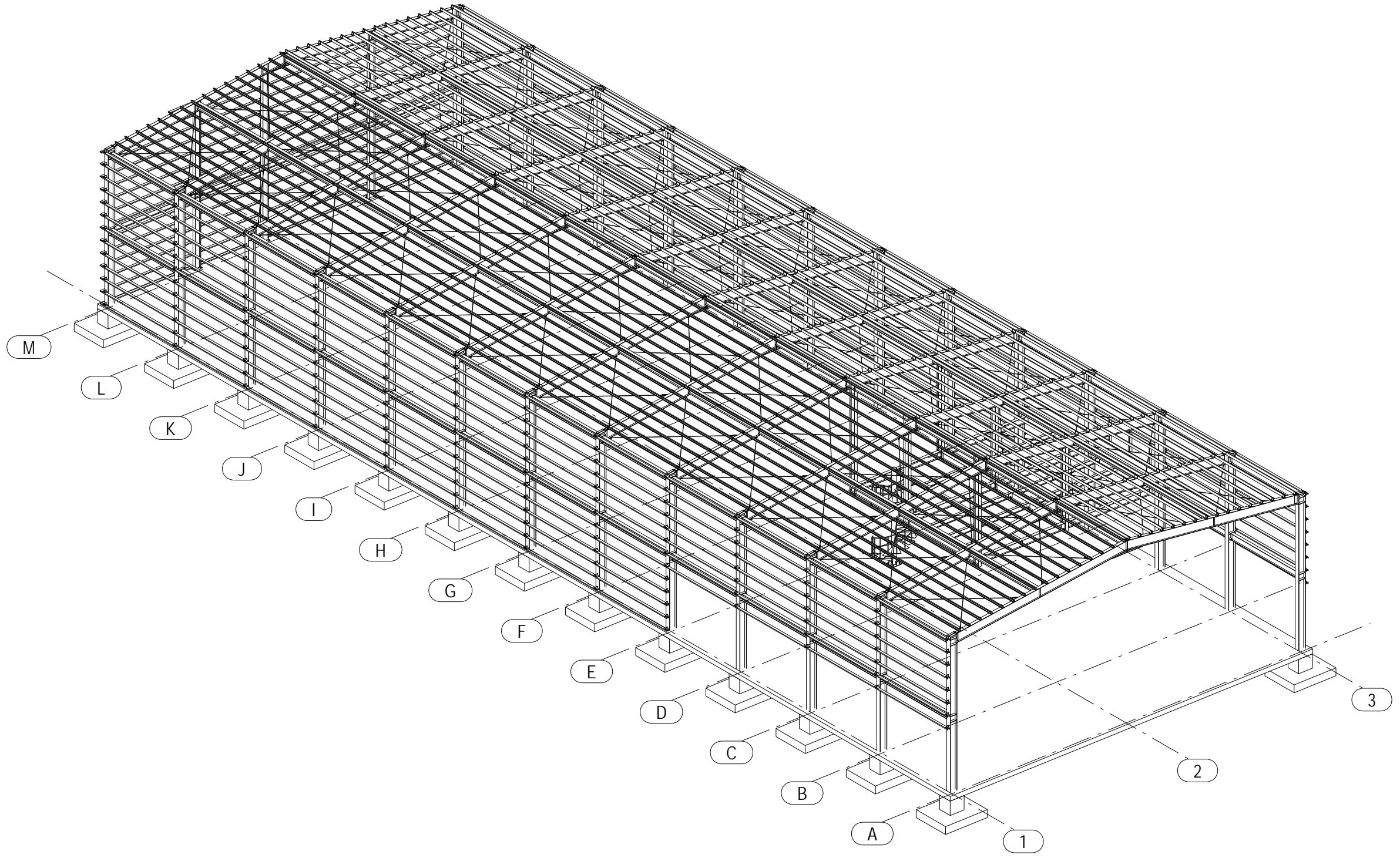
POWERED BY  A TRIMBLE COMPANY		馳揚數位科技		
DRAWING TITLE	屋頂樑接合圖			
CONTRACT	順億廠房新建工程A棟			
CONTRACT NO	101	ISSUE DATE		
MODELLED BY	馳揚數位科技	REVISION DATE		
DRAW BY	馳揚數位科技	REVISION No.		
CHECKED	馳揚數位科技	DATE	01.08.2018	DWG. No. [25]

圖面型鋼清單			
代號	規格	材質	數量
	PL4.5*900	A36	1
M	RH488X300X11X18	SN490B	1



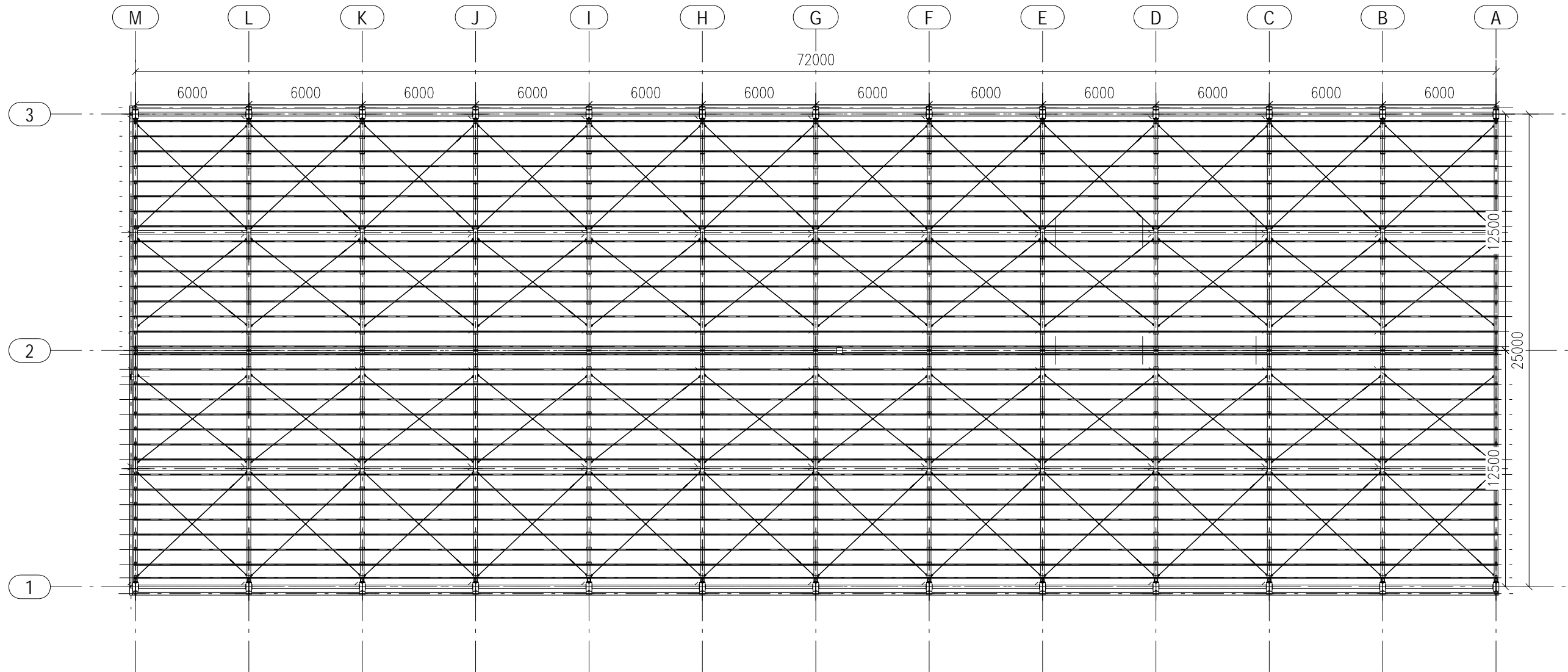
ERECTION
NORTH

POWERED BY  A TRIMBLE COMPANY		馳揚數位科技		
DRAWING TITLE		柱頭詳圖		
CONTRACT		順億廠房新建工程A棟		
CONTRACT NO	101	ISSUE DATE		
MODELLED BY	馳揚數位科技	REVISION DATE		
DRAW BY	馳揚數位科技	REVISION No.		
CHECKED	馳揚數位科技	DATE	01.08.2018	DWG. No. [24]



POWERED BY				馳揚數位科技		
DRAWING TITLE		立體圖				
CONTRACT		順億廠房新建工程A棟				
CONTRACT NO		101		ISSUE DATE		
MODELLED BY		馳揚數位科技		REVISION DATE		
DRAW BY		馳揚數位科技		REVISION No.		
CHECKED		馳揚數位科技		DATE	01.08.2018	DWG. No. [23]

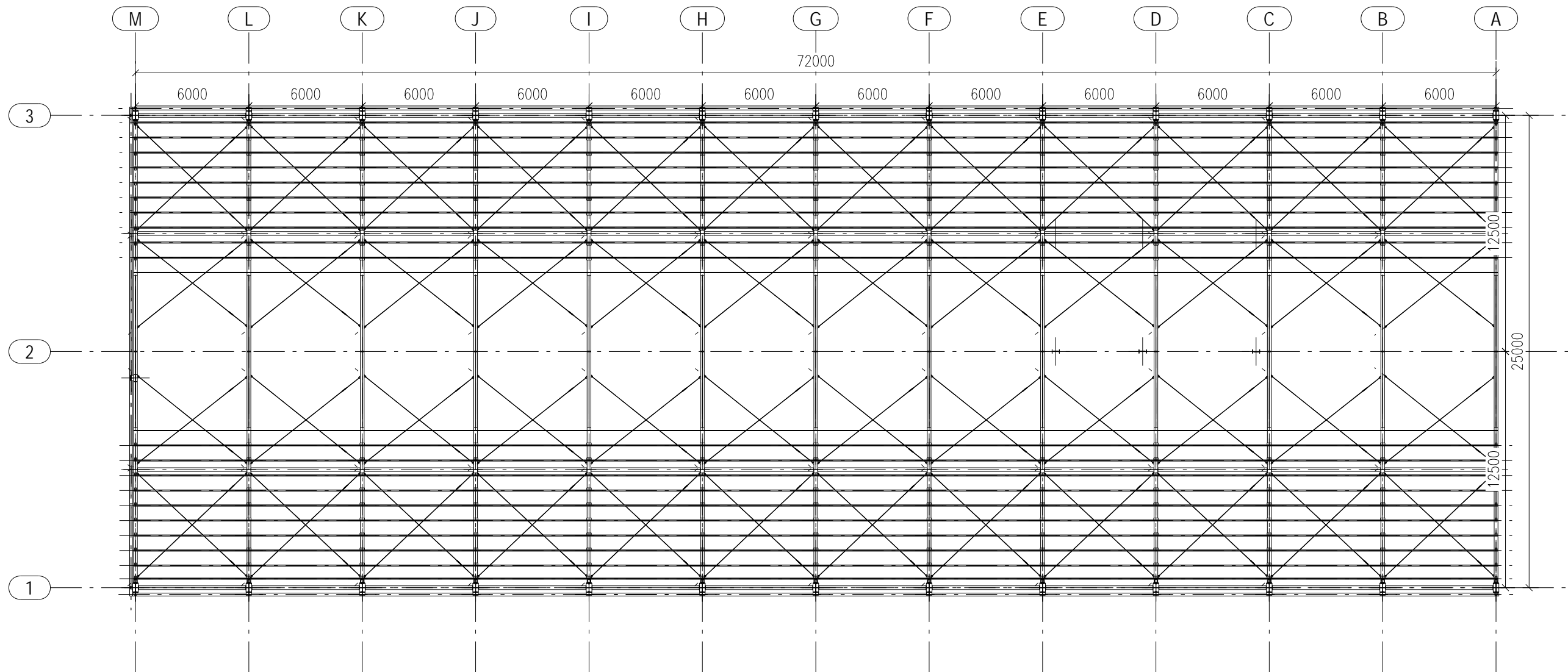
圖面型鋼清單			
代號	規格	材質	數量
	PL10*300	A36	1
	RB13	A36	96
M	C150X50X20X2.3	A36	414
M	RH396X199X7X11	SN490B	69
M	RH488X300X11X18	SN490B	26
M	RH600X200X11X17	SN490B	26



ERECTION
NORTH

POWERED BY  TEKLA A TRIMBLE COMPANY		馳揚數位科技		
DRAWING TITLE	平面圖GL+11500			
CONTRACT	順億廠房新建工程A棟			
CONTRACT NO	101	ISSUE DATE		
MODELLED BY	馳揚數位科技	REVISION DATE		
DRAW BY	馳揚數位科技	REVISION No.		
CHECKED	馳揚數位科技	DATE	01.08.2018	DWG. No. [22]

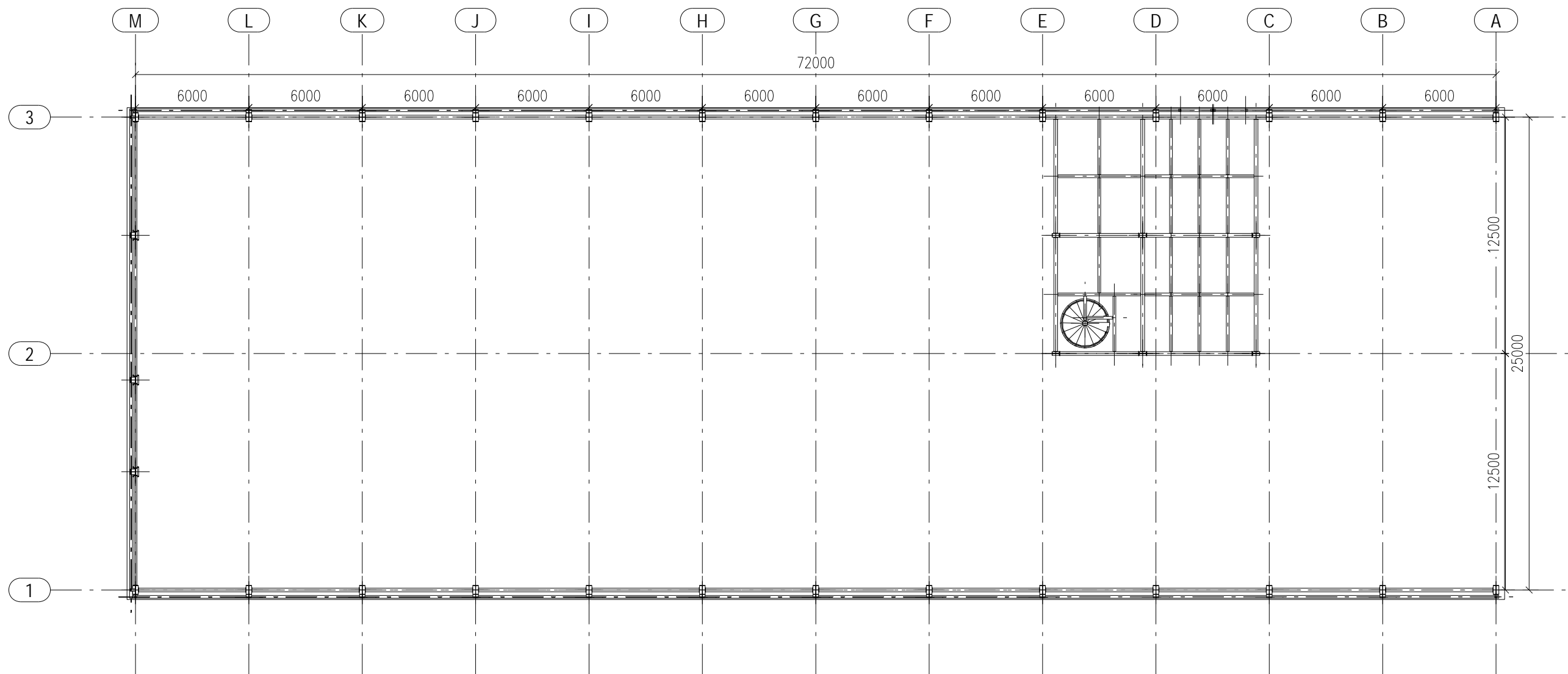
圖面型鋼清單			
代號	規格	材質	數量
	RB13	A36	96
M	C150X50X20X2.3	A36	322
M	RH396X199X7X11	SN490B	59
M	RH488X300X11X18	SN490B	26
M	RH600X200X11X17	SN490B	26




ERECTION
NORTH

POWERED BY  TEKLA A TRIMBLE COMPANY		馳揚數位科技		
DRAWING TITLE	平面圖GL+10000			
CONTRACT	順億廠房新建工程A棟			
CONTRACT NO	101	ISSUE DATE		
MODELLED BY	馳揚數位科技	REVISION DATE		
DRAW BY	馳揚數位科技	REVISION No.		
CHECKED	馳揚數位科技	DATE	01.08.2018	DWG. No. [21]

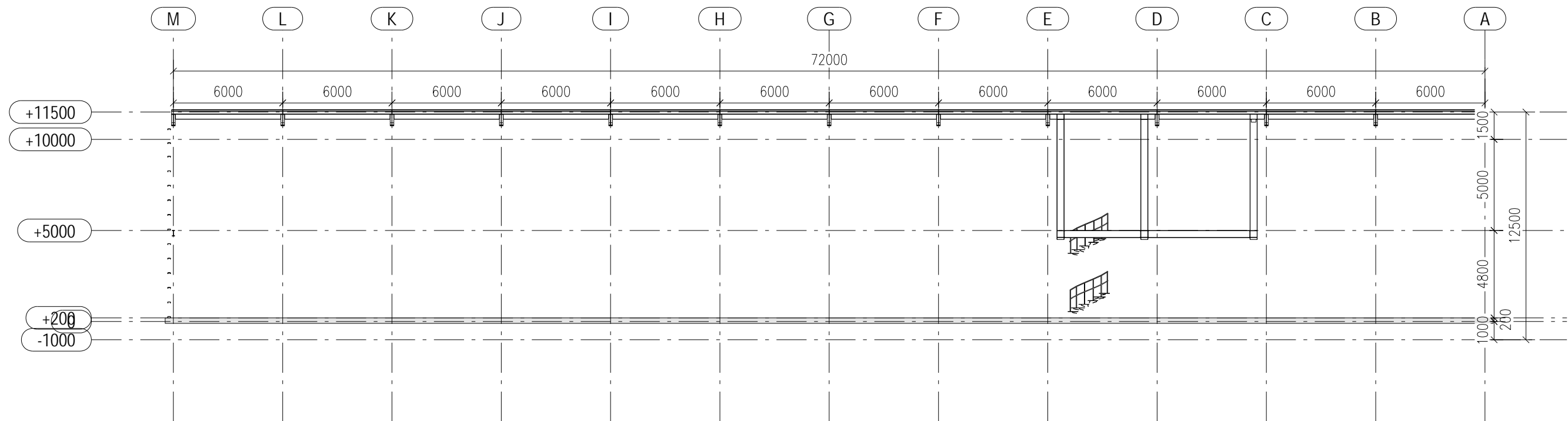
圖面型鋼清單			
代號	規格	材質	數量
	PIPE267.4*9.3	A36	1
	PL4.5*600	A36	1
	PL4.5*900	A36	26
M	C150X50X20X2.3	A36	188
M	RH300X150X6.5X9	A36	4
M	RH300X150X6.5X9	SN490B	22
M	RH396X199X7X11	SN490B	43
M	RH488X300X11X18	SN490B	26




ERECTION
NORTH

POWERED BY  TEKLA A TRIMBLE COMPANY		馳揚數位科技		
DRAWING TITLE	平面圖GL+5000			
CONTRACT	順億廠房新建工程A棟			
CONTRACT NO	101	ISSUE DATE		
MODELLED BY	馳揚數位科技	REVISION DATE		
DRAW BY	馳揚數位科技	REVISION No.		
CHECKED	馳揚數位科技	DATE	01.08.2018	DWG. No. [20]

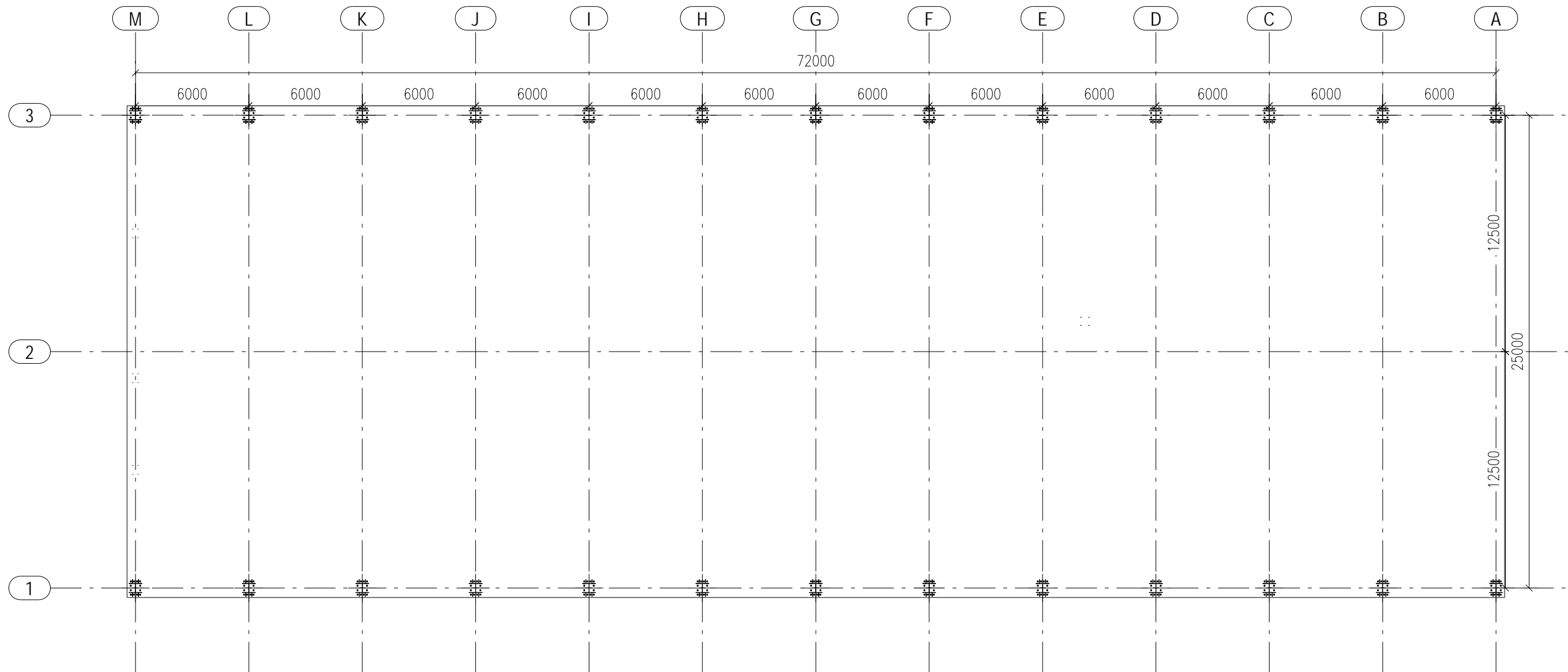
圖面型鋼清單			
代號	規格	材質	數量
	PIPE267.4*9.3	A36	1
	PL10*300	A36	1
M	C150X50X20X2.3	A36	62
M	RH300X150X6.5X9	A36	1
M	RH300X150X6.5X9	SN490B	4
M	RH396X199X7X11	SN490B	20
M	RH600X200X11X17	SN490B	26




ERECTION
NORTH

POWERED BY  TEKLA A TRIMBLE COMPANY		馳揚數位科技	
DRAWING TITLE	立面圖@LINE 2		
CONTRACT	順億廠房新建工程A棟		
CONTRACT NO	101	ISSUE DATE	
MODELLED BY	馳揚數位科技	REVISION DATE	
DRAW BY	馳揚數位科技	REVISION No.	
CHECKED	馳揚數位科技	DATE	01.08.2018
	DWG. No.	[2]	

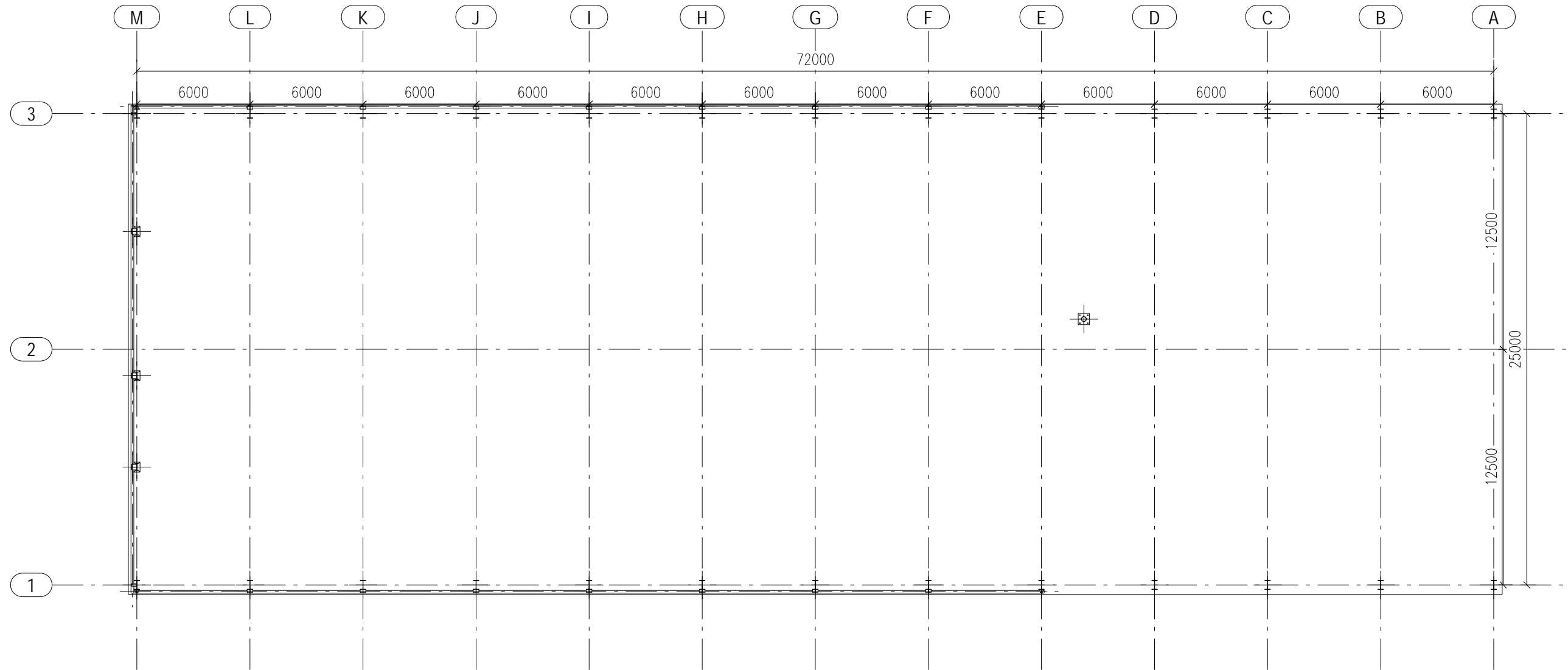
圖面型鋼清單			
代號	規格	材質	數量
	PL4.5*600	A36	1
	PL4.5*900	A36	26
M	RH396X199X7X11	SN490B	3
M	RH488X300X11X18	SN490B	26



ERECTION NORTH

POWERED BY  TEKLA A TRIMBLE COMPANY		馳揚數位科技		
DRAWING TITLE	平面圖GL+0			
CONTRACT	順億廠房新建工程A棟			
CONTRACT NO	101	ISSUE DATE		
MODELLED BY	馳揚數位科技	REVISION DATE		
DRAW BY	馳揚數位科技	REVISION No.		
CHECKED	馳揚數位科技	DATE	01.08.2018	DWG. No. [19]

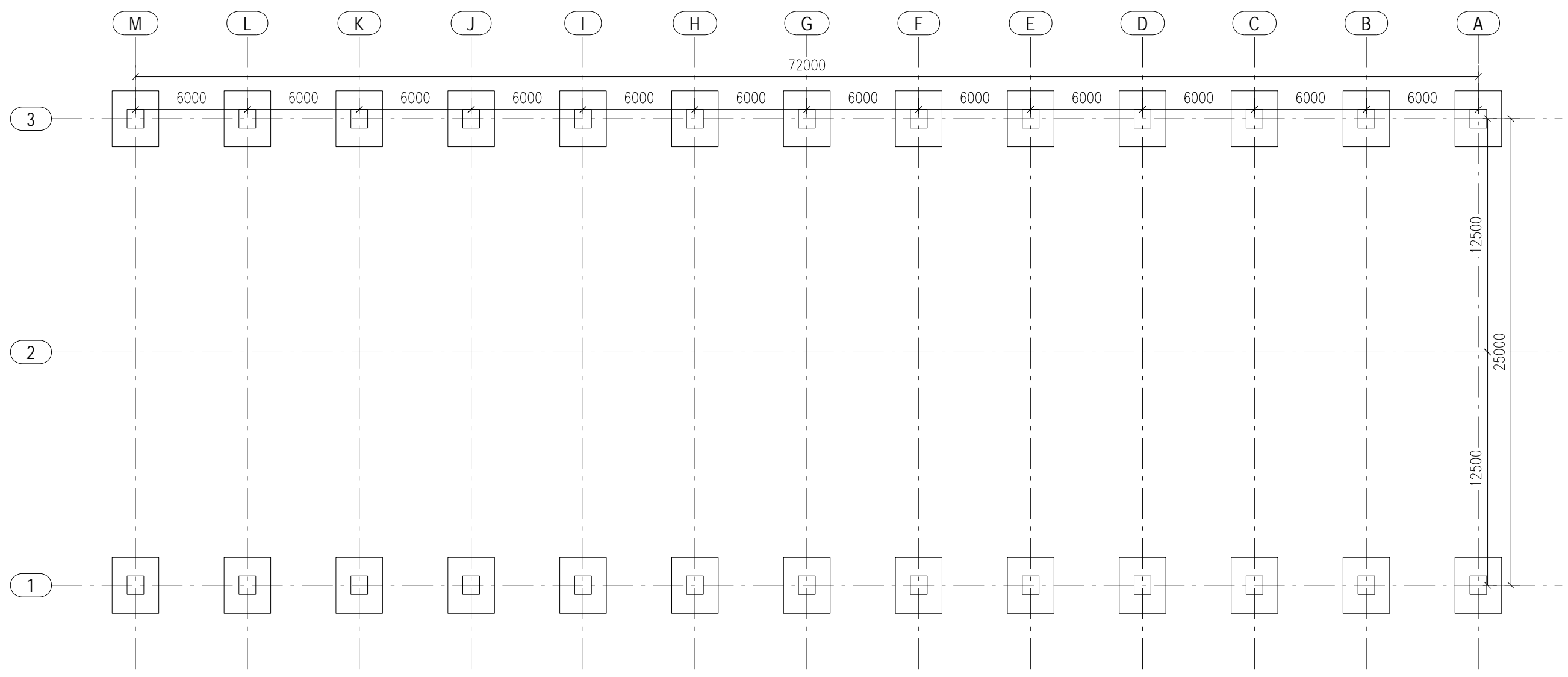
圖面型鋼清單			
代號	規格	材質	數量
	PIPE267.4*9.3	A36	1
	PL4.5*600	A36	1
	PL4.5*900	A36	26
M	C150X50X20X2.3	A36	20
M	RH396X199X7X11	SN490B	3
M	RH488X300X11X18	SN490B	26



ERECTION
NORTH

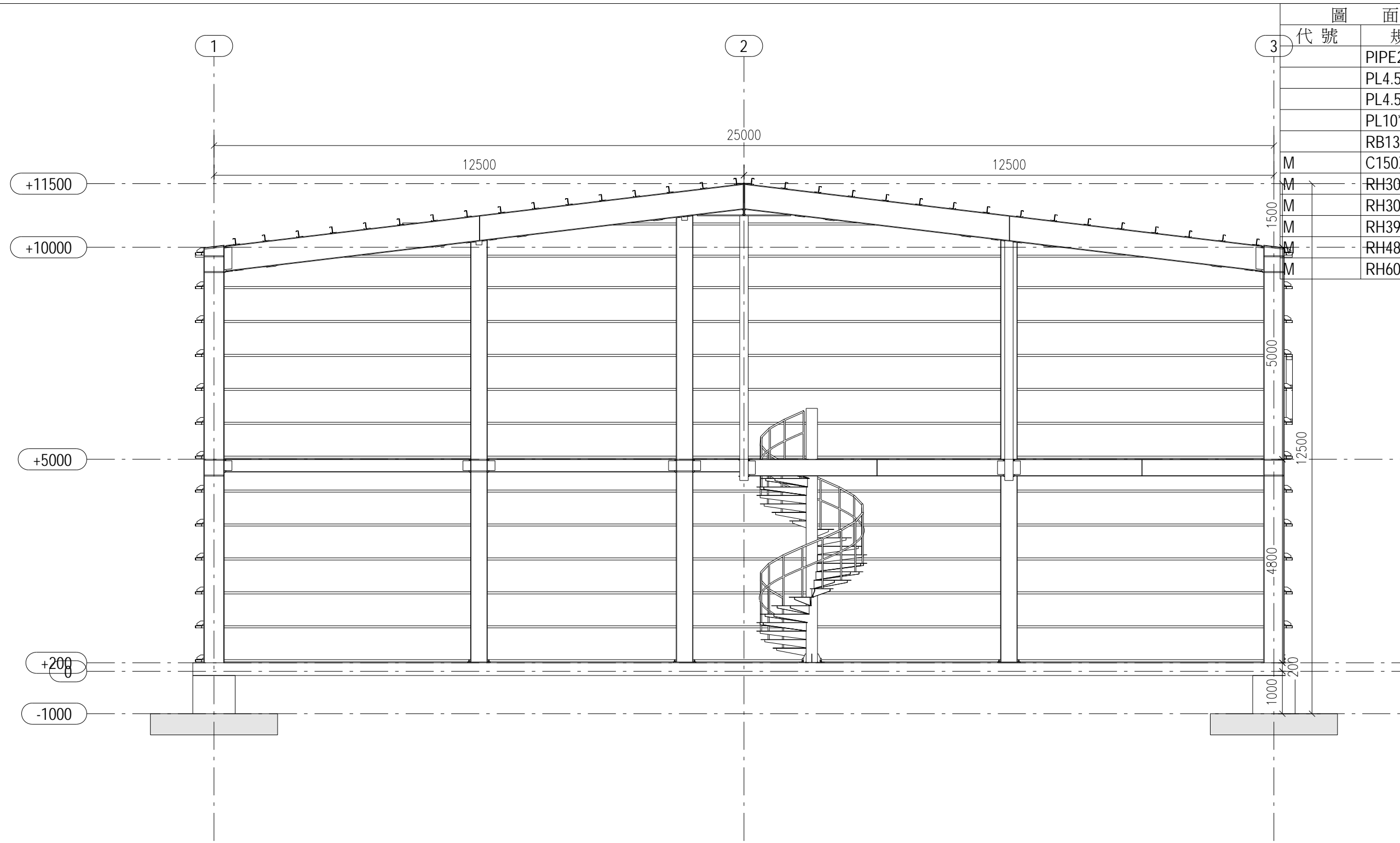
POWERED BY  TEKLA A TRIMBLE COMPANY		馳揚數位科技		
DRAWING TITLE	平面圖GL+200			
CONTRACT	順億廠房新建工程A棟			
CONTRACT NO	101	ISSUE DATE		
MODELLED BY	馳揚數位科技	REVISION DATE		
DRAW BY	馳揚數位科技	REVISION No.		
CHECKED	馳揚數位科技	DATE	01.08.2018	DWG. No. [18]

圖面型鋼清單			
代號	規格	材質	數量



ERECTION
NORTH

POWERED BY  TEKLA A TRIMBLE COMPANY		馳揚數位科技		
DRAWING TITLE	平面圖GL-1000			
CONTRACT	順億廠房新建工程A棟			
CONTRACT NO	101	ISSUE DATE		
MODELLED BY	馳揚數位科技	REVISION DATE		
DRAW BY	馳揚數位科技	REVISION No.		
CHECKED	馳揚數位科技	DATE	01.08.2018	DWG. No. [17]



圖面型鋼清單			
代號	規格	材質	數量
	PIPE267.4*9.3	A36	1
	PL4.5*600	A36	1
	PL4.5*900	A36	26
	PL10*300	A36	1
	RB13	A36	96
M	C150X50X20X2.3	A36	714
M	RH300X150X6.5X9	A36	4
M	RH300X150X6.5X9	SN490B	22
M	RH396X199X7X11	SN490B	103
M	RH488X300X11X18	SN490B	26
M	RH600X200X11X17	SN490B	26



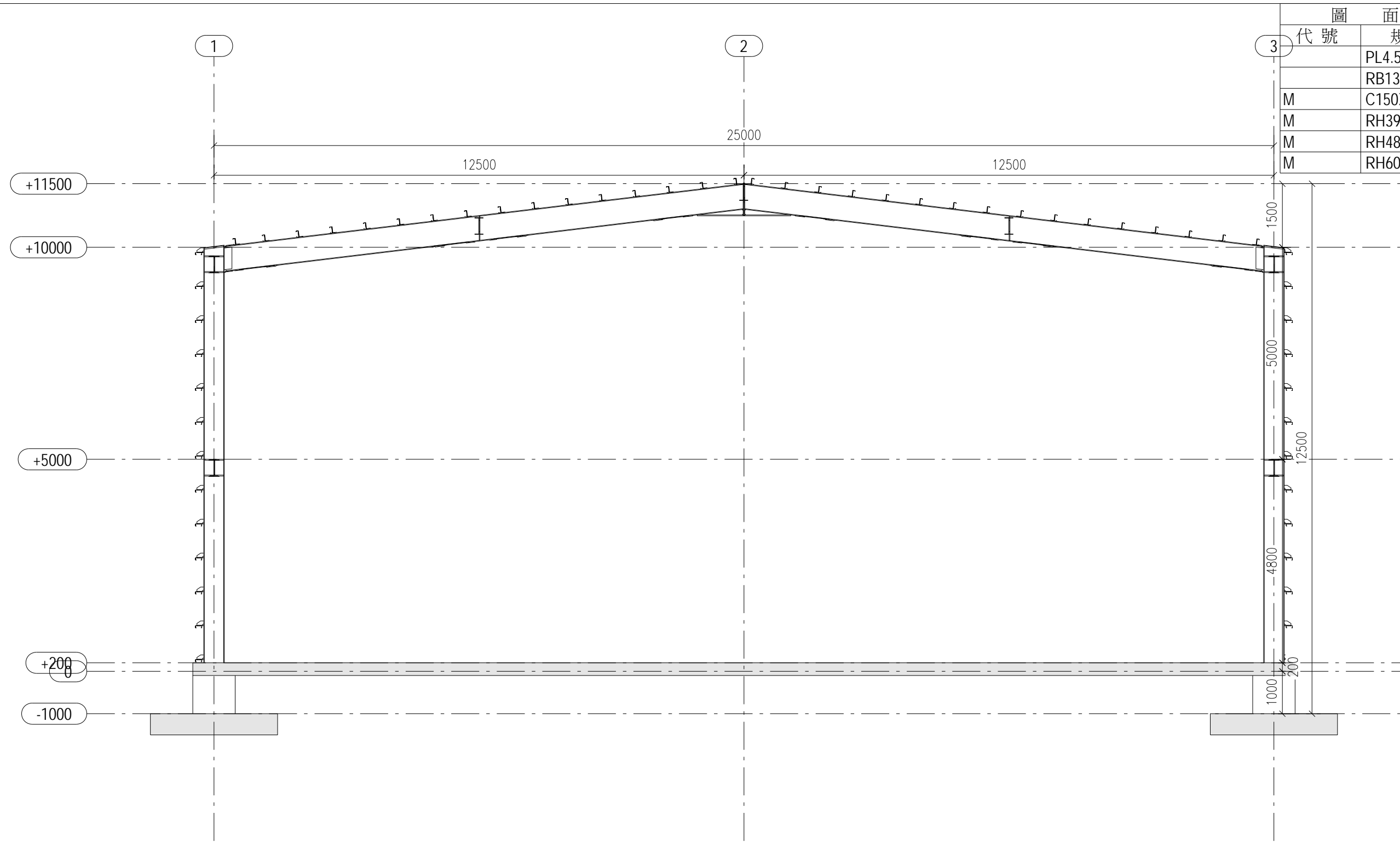
ERECTION
NORTH




馳揚數位科技

DRAWING TITLE	立面圖@LINE M			
CONTRACT	順億廠房新建工程A棟			
CONTRACT NO	101	ISSUE DATE		
MODELLED BY	馳揚數位科技	REVISION DATE		
DRAW BY	馳揚數位科技	REVISION No.		
CHECKED	馳揚數位科技	DATE	01.08.2018	DWG. No. [16]

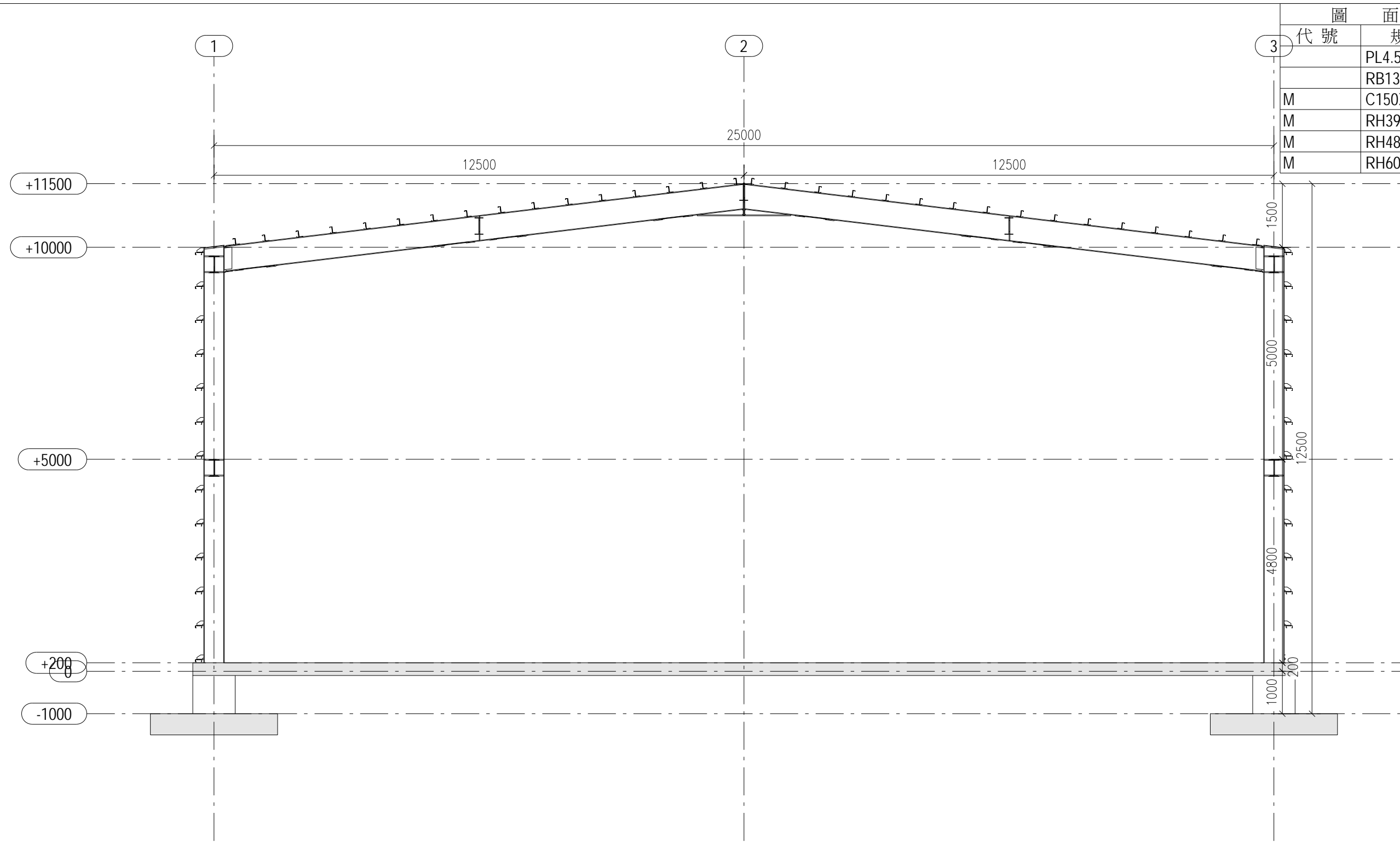
圖面型鋼清單			
代號	規格	材質	數量
	PL4.5*900	A36	10
	RB13	A36	48
M	C150X50X20X2.3	A36	348
M	RH396X199X7X11	SN490B	42
M	RH488X300X11X18	SN490B	10
M	RH600X200X11X17	SN490B	10



ERECTION
NORTH

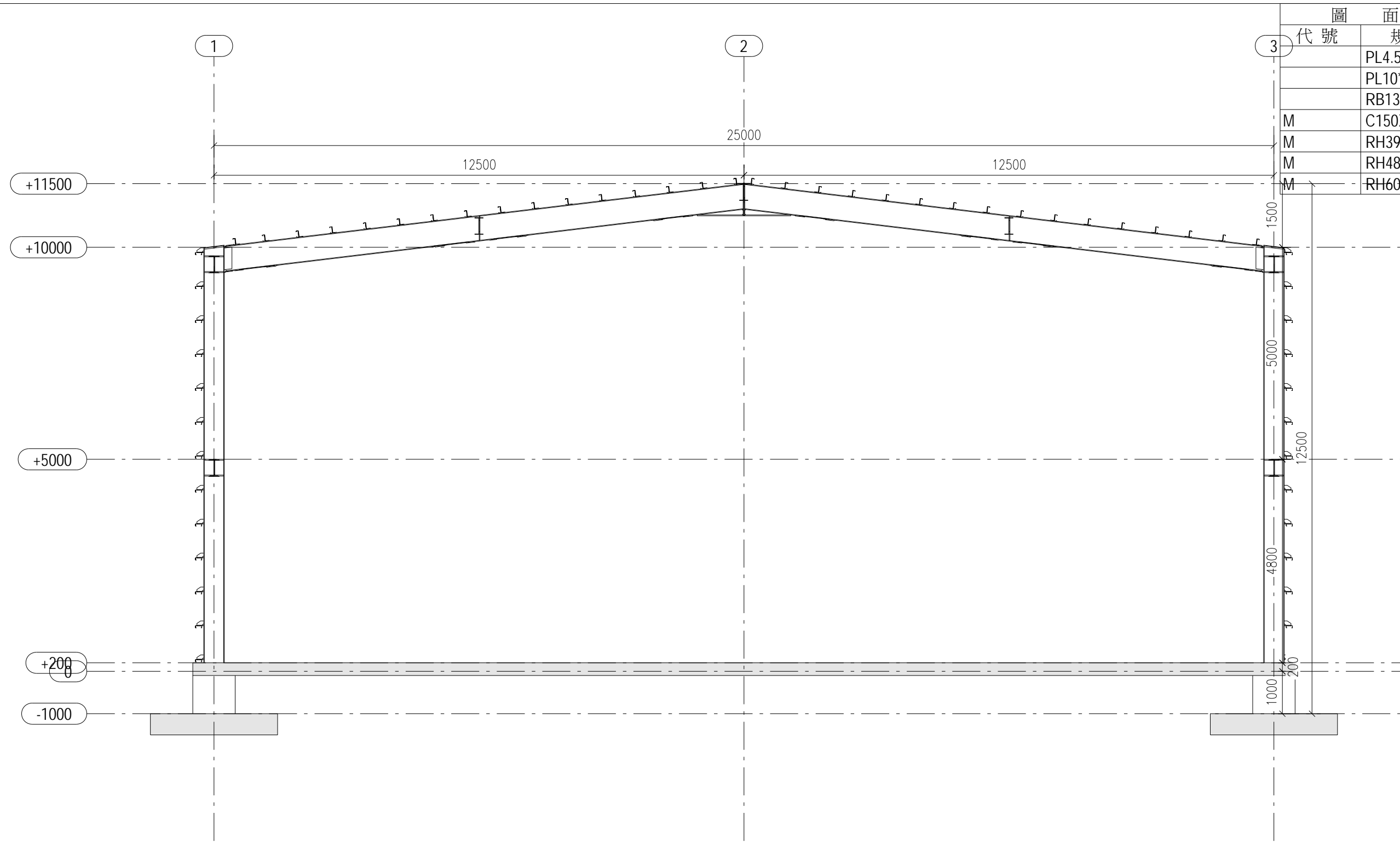
POWERED BY  A TRIMBLE COMPANY		馳揚數位科技		
DRAWING TITLE	立面圖@LINE L			
CONTRACT	順億廠房新建工程A棟			
CONTRACT NO	101	ISSUE DATE		
MODELLED BY	馳揚數位科技	REVISION DATE		
DRAW BY	馳揚數位科技	REVISION No.		
CHECKED	馳揚數位科技	DATE	01.08.2018	DWG. No. [15]

圖面型鋼清單			
代號	規格	材質	數量
	PL4.5*900	A36	10
	RB13	A36	48
M	C150X50X20X2.3	A36	348
M	RH396X199X7X11	SN490B	42
M	RH488X300X11X18	SN490B	10
M	RH600X200X11X17	SN490B	10



ERECTION
NORTH


POWERED BY  TEKLA A TRIMBLE COMPANY		馳揚數位科技		
DRAWING TITLE	立面圖@LINE K			
CONTRACT	順億廠房新建工程A棟			
CONTRACT NO	101	ISSUE DATE		
MODELLED BY	馳揚數位科技	REVISION DATE		
DRAW BY	馳揚數位科技	REVISION No.		
CHECKED	馳揚數位科技	DATE	01.08.2018	DWG. No. [14]

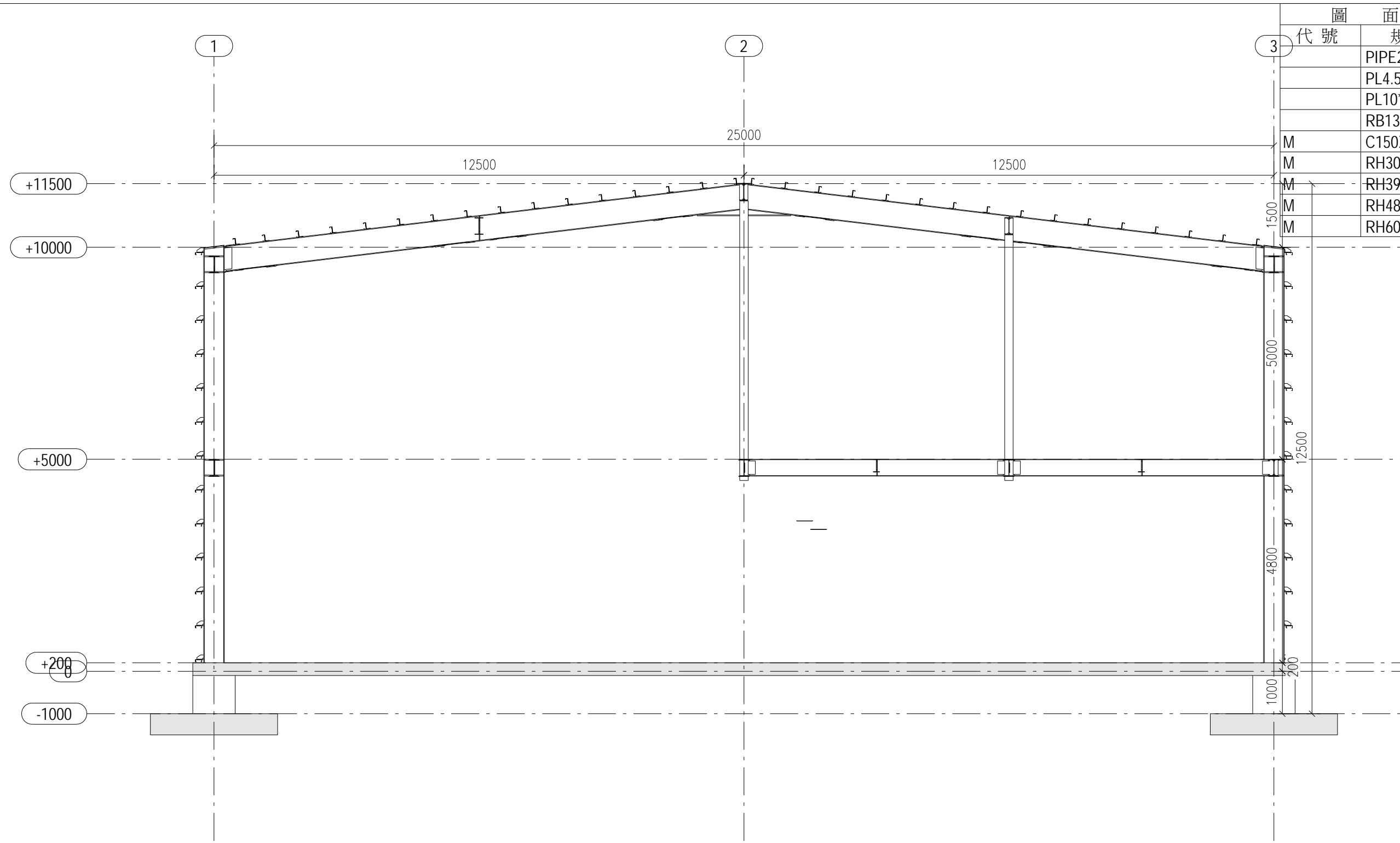


圖面型鋼清單			
代號	規格	材質	數量
	PL4.5*900	A36	10
	PL10*300	A36	1
	RB13	A36	48
M	C150X50X20X2.3	A36	348
M	RH396X199X7X11	SN490B	42
M	RH488X300X11X18	SN490B	10
M	RH600X200X11X17	SN490B	10



ERECTION
NORTH

POWERED BY  A TRIMBLE COMPANY		馳揚數位科技		
DRAWING TITLE	立面圖@LINE J			
CONTRACT	順億廠房新建工程A棟			
CONTRACT NO	101	ISSUE DATE		
MODELLED BY	馳揚數位科技	REVISION DATE		
DRAW BY	馳揚數位科技	REVISION No.		
CHECKED	馳揚數位科技	DATE	01.08.2018	DWG. No. [13]



圖面型鋼清單			
代號	規格	材質	數量
	PIPE267.4*9.3	A36	1
	PL4.5*900	A36	10
	PL10*300	A36	1
	RB13	A36	48
M	C150X50X20X2.3	A36	338
M	RH300X150X6.5X9	SN490B	2
M	RH396X199X7X11	SN490B	48
M	RH488X300X11X18	SN490B	10
M	RH600X200X11X17	SN490B	10

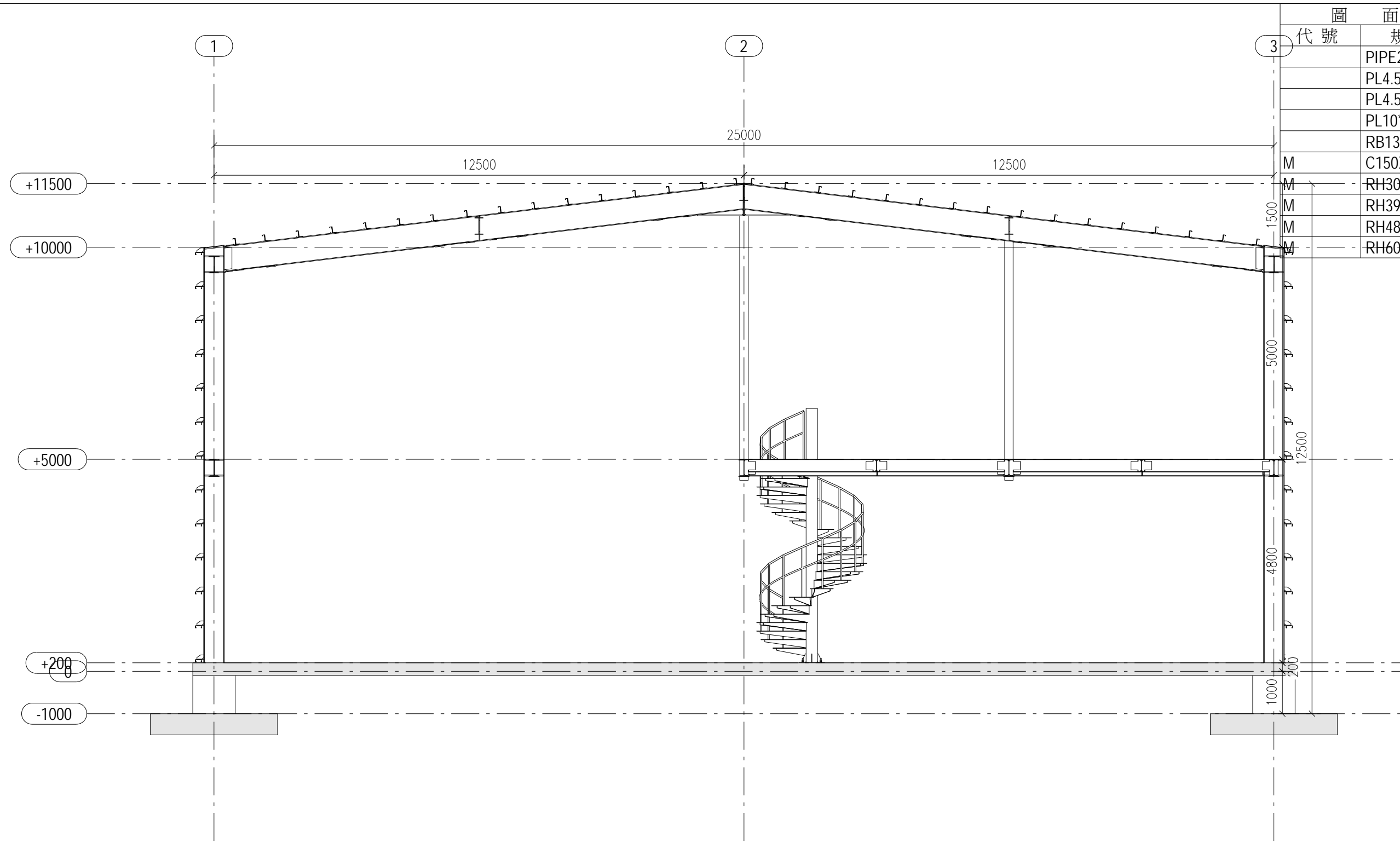


ERECTION
NORTH



馳揚數位科技

DRAWING TITLE	立面圖@LINE I			
CONTRACT	順億廠房新建工程A棟			
CONTRACT NO	101	ISSUE DATE		
MODELLED BY	馳揚數位科技	REVISION DATE		
DRAW BY	馳揚數位科技	REVISION No.		
CHECKED	馳揚數位科技	DATE	01.08.2018	DWG. No. [12]



圖面型鋼清單			
代號	規格	材質	數量
	PIPE267.4*9.3	A36	1
	PL4.5*600	A36	1
	PL4.5*900	A36	10
	PL10*300	A36	1
	RB13	A36	48
M	C150X50X20X2.3	A36	327
M	RH300X150X6.5X9	SN490B	14
M	RH396X199X7X11	SN490B	54
M	RH488X300X11X18	SN490B	10
M	RH600X200X11X17	SN490B	10

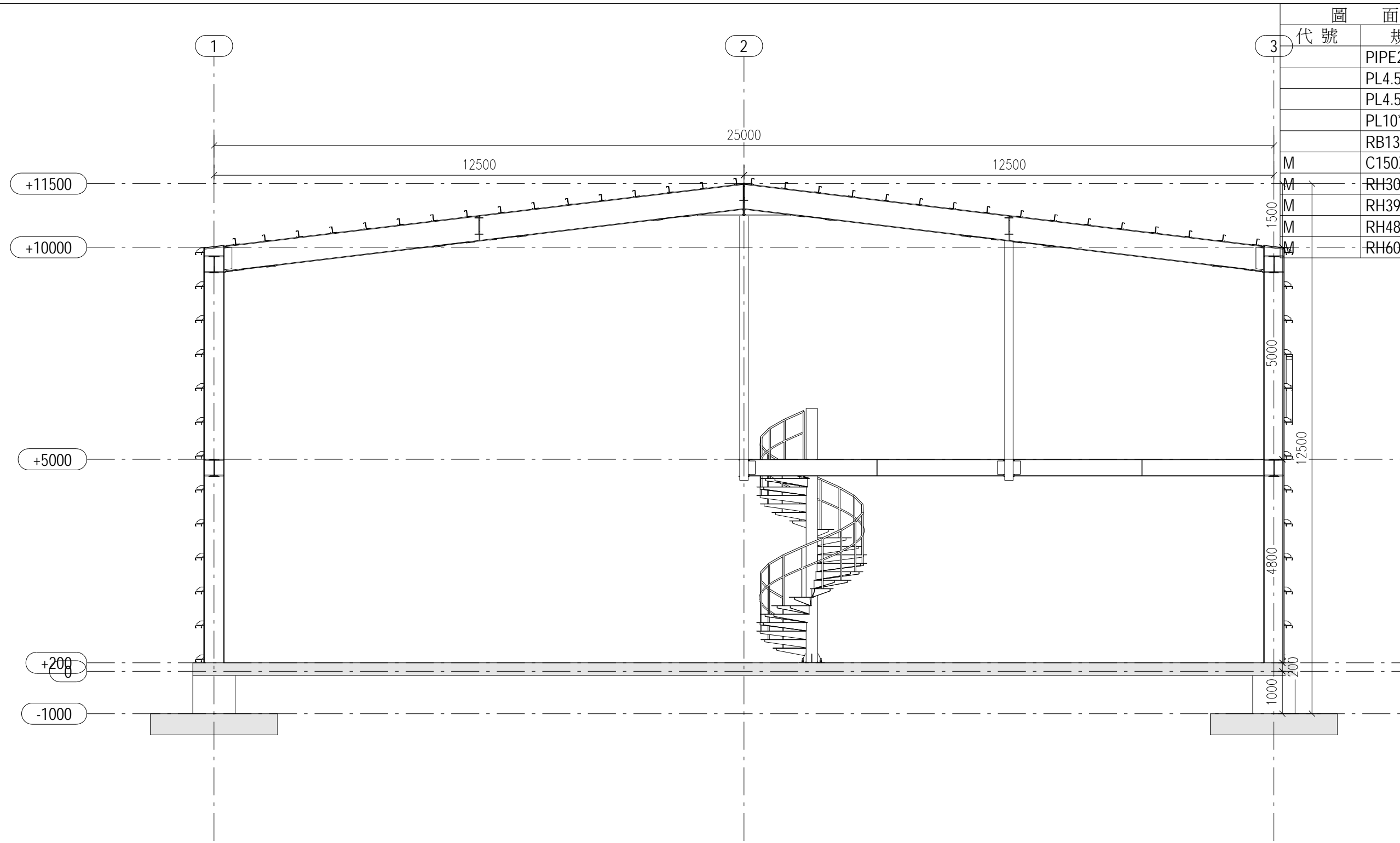


ERECTION NORTH



馳揚數位科技


DRAWING TITLE	立面圖@LINE H			
CONTRACT	順億廠房新建工程A棟			
CONTRACT NO	101	ISSUE DATE		
MODELLED BY	馳揚數位科技	REVISION DATE		
DRAW BY	馳揚數位科技	REVISION No.		
CHECKED	馳揚數位科技	DATE	01.08.2018	DWG. No. [11]

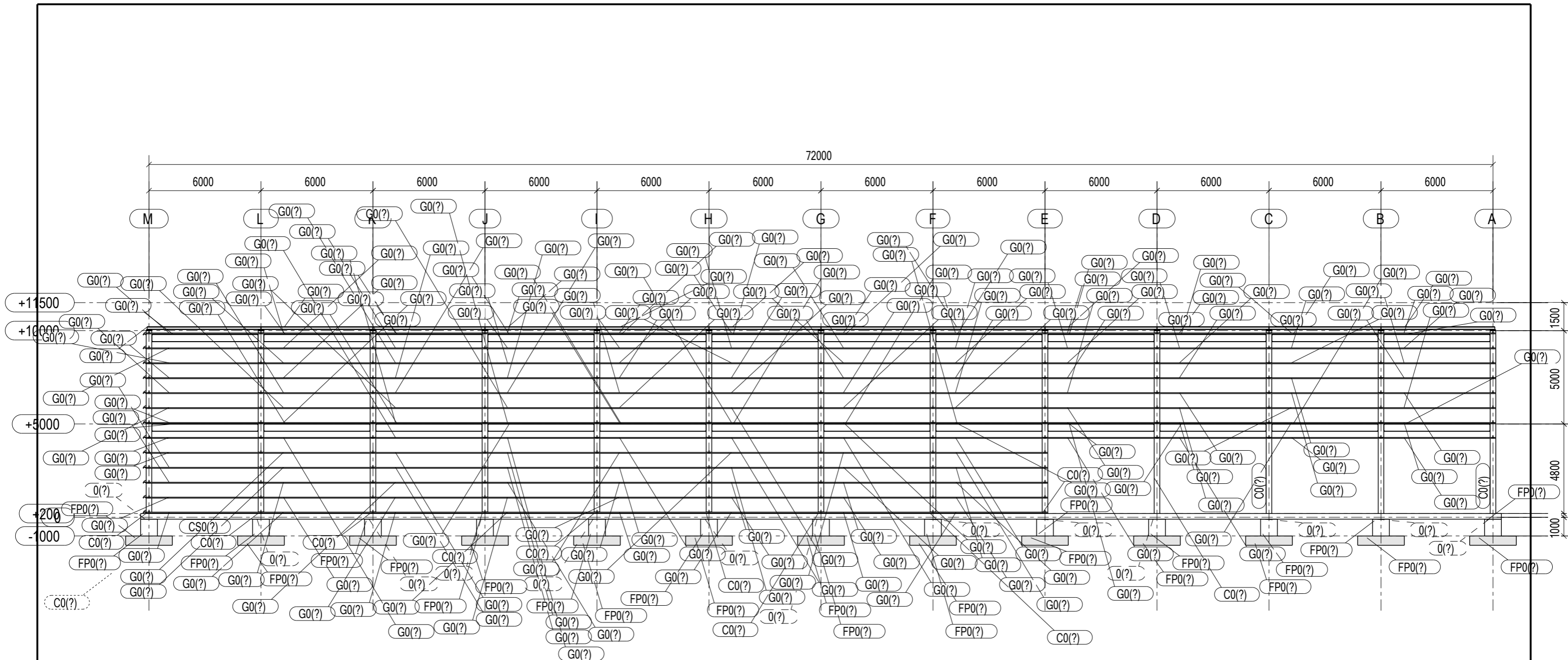


圖面型鋼清單			
代號	規格	材質	數量
	PIPE267.4*9.3	A36	1
	PL4.5*600	A36	1
	PL4.5*900	A36	10
	PL10*300	A36	1
	RB13	A36	48
M	C150X50X20X2.3	A36	322
M	RH300X150X6.5X9	SN490B	22
M	RH396X199X7X11	SN490B	58
M	RH488X300X11X18	SN490B	10
M	RH600X200X11X17	SN490B	10



ERECTION
NORTH

POWERED BY  A TRIMBLE COMPANY		馳揚數位科技		
DRAWING TITLE	立面圖@LINE G			
CONTRACT	順億廠房新建工程A棟			
CONTRACT NO	101	ISSUE DATE		
MODELLED BY	馳揚數位科技	REVISION DATE		
DRAW BY	馳揚數位科技	REVISION No.		
CHECKED	馳揚數位科技	DATE	01.08.2018	DWG. No. [10]



LINE 1

Tekla Structures

Powered by Tekla		□□□□□	
DRAWING TITLE	□□□@LINE 1		
CONTRACT	□□□□□□□□□□		
CONTRACT NO	101	ISSUE DATE	
MODELLED BY	□□□□□	REVISION DATE	
DRAW BY	□□□□□	REVISION No.	
CHECKED	□□□□□	DATE	03.08.2018
		DWG. No.	[1]